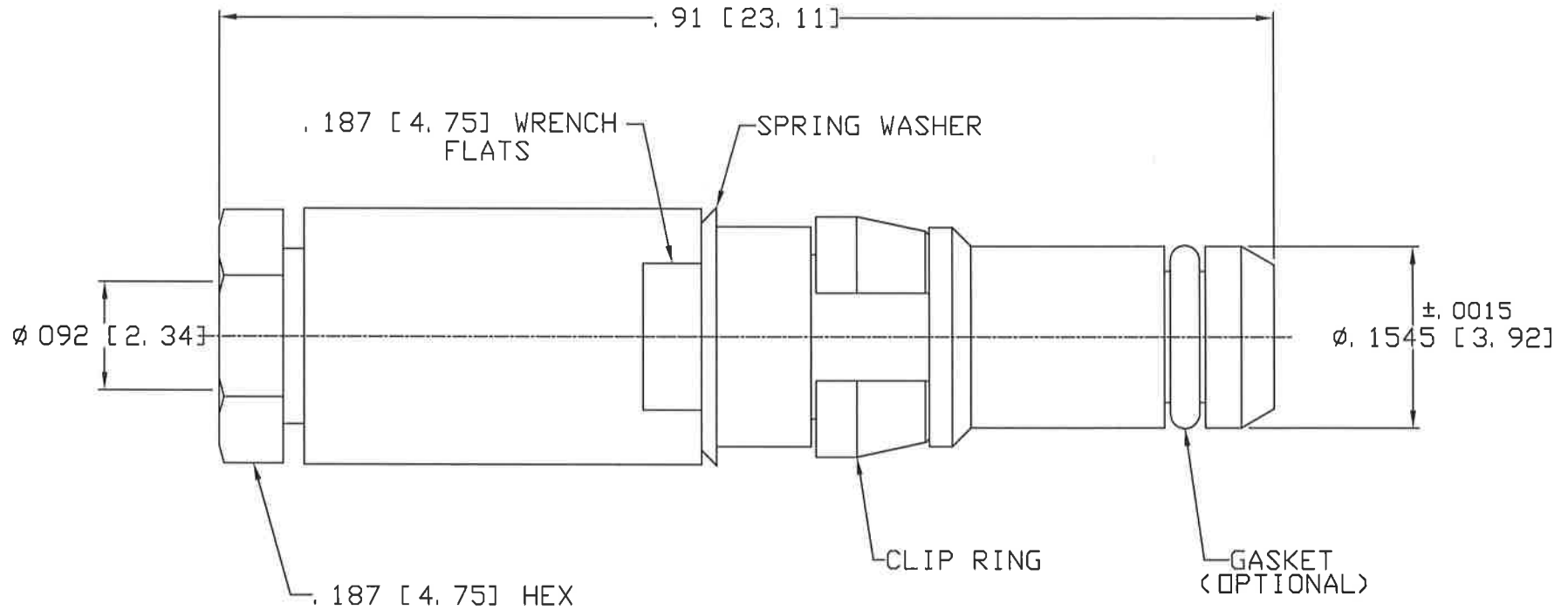


CAD DRAWING - NO MANUAL REVISIONS



26-0030-0860	WITHOUT GASKET
26-0031-0860	WITH GASKET

NOTES:

1. DESIGN AND INTERFACE PER I. D. S. 26.
2. ACCOMMODATES RG405-M17/133 (.086 S. R.) CABLE.
3. CLAMP NUT, FERRULE & BULLET SHIPPED LOOSE.

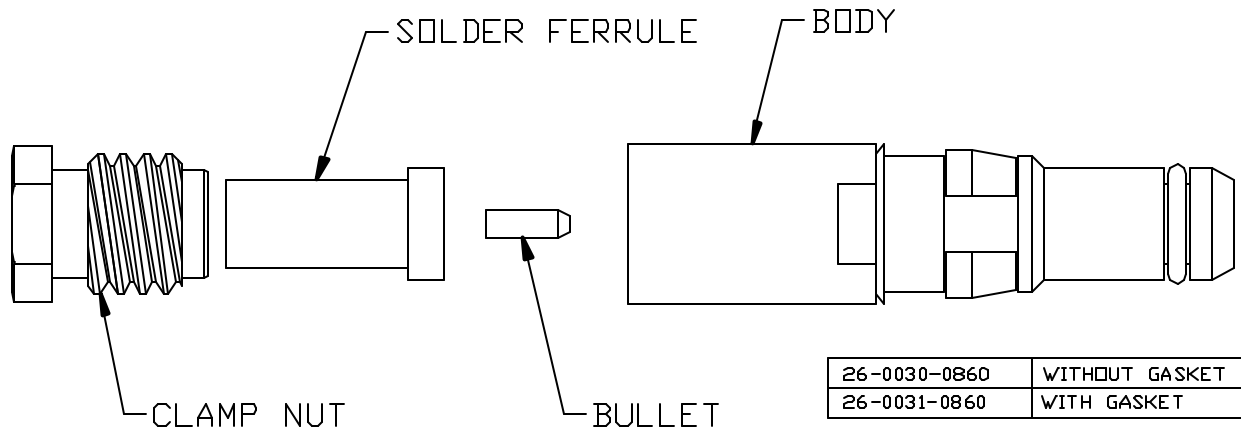
S	PER ECN 11004	06/22/11	JEM	<b>PALCO CONNECTOR</b> 22 GREAT HILL RD., NAUGATUCK, CT 06770 UNLESS OTHERWISE SPECIFIED, PALCO WORKMANSHIP STANDARDS APPLY TOLERANCES ON: DECIMALS: XX ±.01 .XXX ±.005 ANGLES ±1/2° 32' DIMENSIONS IN INCHES OR (METRIC) DO NOT SCALE PRINTS	DRAWN MY	CHECKED HN	ENGINEER YT	APPROVED HN	FSCM 58167
R	PER ECN 10683	11/05/10	JEM		DESCRIPTION PKZ PLUG SOLDER CLAMP				
P	PER ECN 10187	02/15/10	JEM						
Q	PER ECN 10110	12/04/09	JEM						
N	PER ECN 6082	12/03/01	HN						
REV.	DESCRIPTION	DATE	APPR.	CATALOG ITEM	DATE 03/07/91	DRAWING NO. 26-003X-0860		PLATING OPT. A, B, C, D	

CABLE ASSEMBLY PROCEDURE	
P/N	26-003X-0860
PAGE 1 OF 1	DATE: 07/25/96
DRAWN: MY	APPROVED: HN
FOR RG-405 & T-FLEX 405 CABLE	

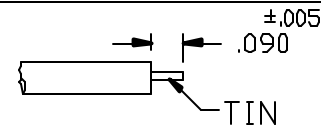
**PALEO**  
**CONNECTOR**

22 GREAT HILL ROAD, NAUGATUCK, CT. 06770  
PHONE: (203) 729-9090 FAX: (203) 723-1794

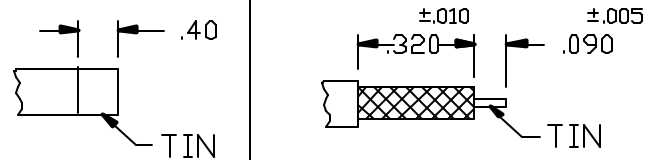
REV	DESCRIPTION	DATE	APPR
0	PER ECN 10110	12/04/09	JEM
P	PER ECN 10187	02/15/10	JEM
R	PER ECN 10683	11/05/10	JEM
S	PER ECN 11004	06/22/11	JEM



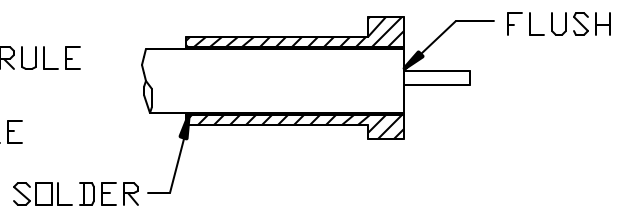
STEP 1 (RG-405 CABLE)  
TRIM CABLE TO DIMENSIONS SHOWN.  
TIN DIP CENTER CONDUCTOR ONLY.



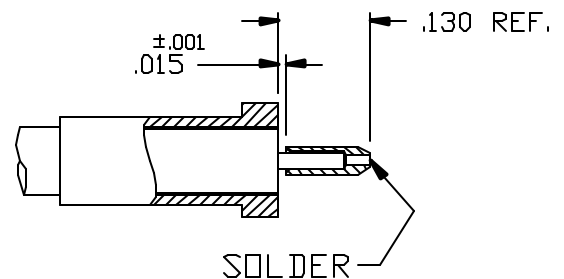
STEP 1 (T-FLEX 405 CABLE)  
TIN DIP CABLE TO DIMENSIONS SHOWN.  
STRIP JACKET TO DIMENSION SHOWN.  
TIN DIP CENTER CONDUCTOR ONLY.



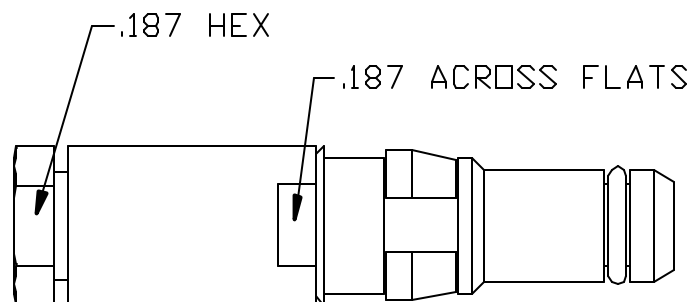
STEP 2  
SLIDE CLAMP NUT AND SOLDER FERRULE  
ONTO CABLE. SET COUNTERBORE IN  
SOLDER FERRULE FLUSH WITH CABLE  
AND SOLDER. CLEAN SOLDER JOINT.  
(TRIM DIELECTRIC IF NECESSARY)



STEP 3  
SLIDE BULLET OVER CENTER  
CONDUCTOR OF CABLE. SOLDER BULLET  
TO CABLE. CLEAN SOLDER JOINT.



STEP 4  
INSERT CABLE ASSEMBLY INTO  
BODY AND TIGHTEN CLAMP  
NUT TO 90-100 IN-OZS. MIN.



INTERFACE DESIGN STANDARD		<b>PALEO</b> <b>CONNECTOR</b>	REV	DESCRIPTION	DATE	APPR
IDS-26			D	PER ECN 6752	10/24/02	HN
PAGE 1 OF 2	DATE: 02/28/94		E	PER ECN 7265	01/27/04	HN
DRAWN: JEM	APPROVED: HN	22 GREAT HILL ROAD, NAUGATUCK, CT. 06770 PHONE: (203) 729-9090 FAX: (203) 723-1794	F	PER ECN 9935	05/22/09	JEM
			G	PER ECN 10145	01/20/10	JEM

DESCRIPTION: 26 SERIES, SIZE 8 PkZ®

**MECHANICAL**

**MATERIALS**

BODIES:

PLUG BODIES - BRASS PER ASTM B 16.  
RECEPTACLE BODIES - BRASS PER ASTM B 16.

PLATING:

GOLD PER MIL-G-45204.  
COPPER PER MIL-C-14550.  
NICKEL PER QQ-N-290.

INSULATORS - VIRGIN TEFLON (PTFE) PER ASTM D 1710 AND ASTM D 1457.  
RETAINING RING - BERYLLIUM COPPER PER ASTM B 196.  
MALE CONTACT - BERYLLIUM COPPER PER ASTM B 197.  
FEMALE CONTACTS - BERYLLIUM COPPER PER ASTM B 197.  
WEATHER SEAL GASKET (OPTIONAL) -  
SILICONE RUBBER PER ZZ-R-765.  
EMI GASKET - BERYLLIUM COPPER ASTM B 196.

**FINISHES (ADD LETTER TO END OF PART NUMBER)**

"A" - .000050 MIN. GOLD OVER NICKEL  
"B" - .000030 MIN. GOLD OVER NICKEL  
"C" - .000050 MIN. GOLD OVER COPPER  
"D" - .000030 MIN. GOLD OVER COPPER

**MATING CHARACTERISTICS**

OUTER BODIES \_\_\_\_\_ 3 LBS MAX. INSERTION.  
2 OZ. MIN. WITHDRAWAL.  
CENTER CONTACTS \_\_\_\_\_ 32 OZ. MAX. INSERTION.  
.5 OZ. MIN. WITHDRAWAL.  
HOUSING RETENTION \_\_\_\_\_ 12 LBS. MIN.  
AXIAL MATING TOLERANCE \_\_\_\_\_ .090

**ELECTRICALS**

FREQUENCY RANGE: DC TO 32 GHz.  
VOLTAGE RATING STRAIGHT: 1000 VRMS.  
VOLTAGE RATING ANGLED: 800 VRMS.  
CURRENT RATING: 5 AMPS.  
INSULATION RESISTANCE: 2000 MEGOHMS MIN.  
INSERTION LOSS: .06  $\sqrt{f(\text{GHz})}$  dB

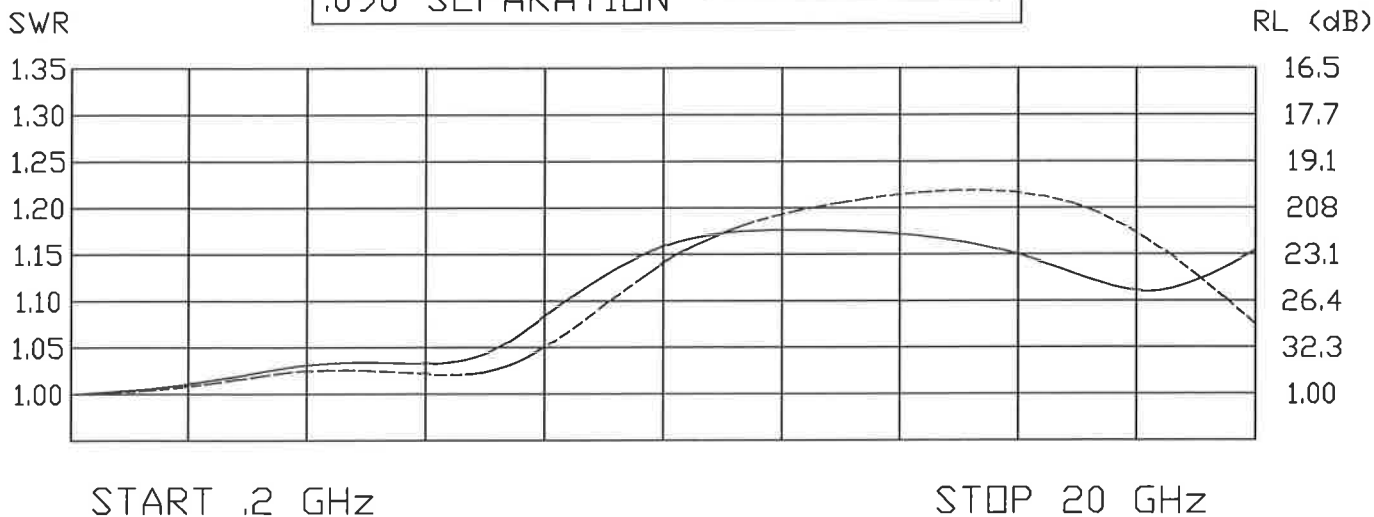
CONTACT RESISTANCE: CENTER CONTACT 5 MILLIOHMS  
CONTACT RESISTANCE: OUTER CONTACT 3 MILLIOHMS  
VSWR: 1.08 + .009(f) GHz., RG-402 CABLE.  
1.15 + .02 (f) GHz., RG-174 & RG-316 CABLES.  
1.15 + .01 (f) GHz., RG-142, 223, 303 & 400 CABLES.

**ENVIRONMENTAL**

OPERATING TEMPERATURE: -65°C to +165°C  
VIBRATION: MIL-STD-202, METHOD 204, TEST CONDITION D.  
SHOCK: MIL-STD-202, METHOD 213, TEST CONDITION I.  
SALT SPRAY: MIL-STD-1344, METHOD 1001, CONDITION B.  
DURABILITY: 500 CYCLES.

THERMAL SHOCK: MIL-STD-202, METHOD 107, TEST CONDITION B, EXCEPT HIGH TEMPERATURE SHALL BE +85°C.  
MOISTURE RESISTANCE: MIL-STD-202, METHOD 106.  
NO MEASUREMENT AT HIGH HUMIDITY. INSULATION RESISTANCE 2000 MEGOHMS AFTER HUMIDITY.

FULL MATING -----  
.090 SEPARATION \_\_\_\_\_



INTERFACE DESIGN STANDARD	
IDS-26	
PAGE 2 OF 2	DATE: 06/28/94
DRAWN: JEM	APPROVED: HN

**PALEO**  
**CONNECTOR**

22 GREAT HILL ROAD, NAUGATUCK, CT. 06770  
PHONE: (203) 729-9090 FAX: (203) 723-1794

REV	DESCRIPTION	DATE	APPR
D	PER ECN 6752	10/24/02	HN
E	PER ECN 7625	01/27/04	HN
F	PER ECN 9935	05/22/09	JEM
G	PER ECN 10145	01/20/10	JEM

DESCRIPTION: 26 SERIES, PKZ<sup>®</sup> SIZE 8

	INCH	[mm]	SUFFIX
A	.250	[6.35]	MIN.
B	$\phi$ $\frac{.153}{.156}$	$\frac{[3.89]}{[3.96]}$	
C	$\frac{.126}{.132}$	$\frac{[3.20]}{[3.35]}$	MIN.
D	$\phi$ .206	[5.23]	

PLUG

	INCH	[mm]	SUFFIX
A	.245	[6.22]	MIN.
B	$\frac{.143}{.147}$	$\frac{[3.63]}{[3.73]}$	
C	$\phi$ .206	[5.23]	
D	$\phi$ $\frac{.0395}{.0410}$	$\frac{[1.00]}{[1.04]}$	
E	$\phi$ .157	[3.99]	MIN.

RECEPTACLE