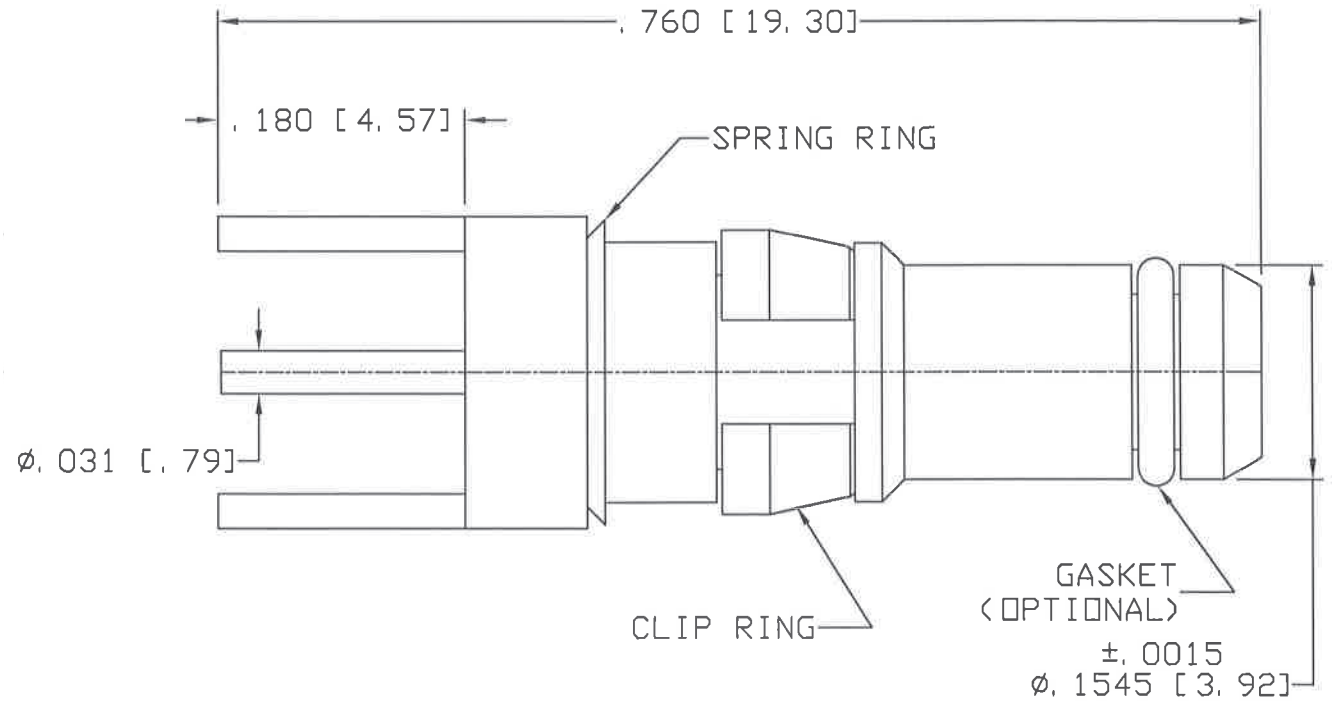


CAD DRAWING - NO MANUAL REVISIONS



				<b>PALCO CONNECTOR</b> 22 GREAT HILL RD., NAUGATUCK, CT 06770 UNLESS OTHERWISE SPECIFIED, PALCO WORKMANSHIP STANDARDS APPLY TOLERANCES ON: DECIMALS: XX $\pm .01$ .XXX $\pm .005$ ANGLES $\pm 1/2^\circ$ 32' DIMENSIONS IN INCHES OR (METRIC) DO NOT SCALE PRINTS	DRAWN JEM	CHECKED HN	ENGINEER JEM	APPROVED HN	FSCM 58167
G	PER ECN 10282	04/14/10	JEM		DATE 05/29/91	DESCRIPTION PKZ , STRAIGHT, PLUG, PC MOUNT		PLATING OPT. A, B, C, D	
F	PER ECN 8895	04/13/07	JEM	CATALOG ITEM					
E	PER ECN 2677	11/29/94	HN						
REV.	DESCRIPTION	DATE	APPR.						

THE INFORMATION IN THIS DOCUMENT IS CONFIDENTIAL AND PROPRIETARY AND MAY NOT BE USED FOR ANY PURPOSE WITHOUT THE WRITTEN CONSENT OF PALCO.