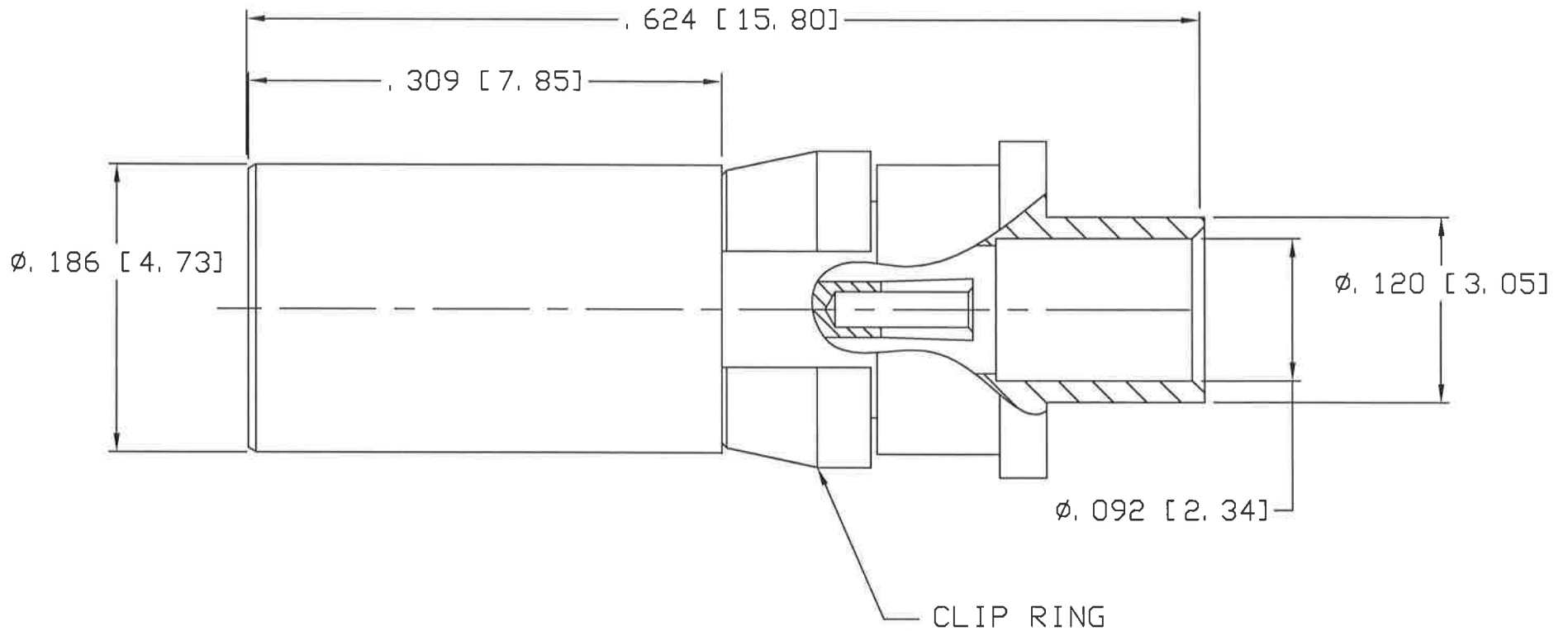


CAD DRAWING - NO MANUAL REVISIONS



NOTES:

1. DESIGN AND INTERFACE PER I. D. S. -26.
2. ACCOMMODATES RG-405 S/R (.086 SEMI-RIGID) OR EQUIVALENT CABLE.

F	PER ECN 10524	08/17/10	JEM	PALCO CONNECTOR 22 GREAT HILL RD., NAUGATUCK, CT 06770 UNLESS OTHERWISE SPECIFIED, PALCO WORKMANSHIP STANDARDS APPLY TOLERANCES ON: DECIMALS: XX ±.01 .XXX ±.005 ANGLES ±1/2° 32' DIMENSIONS IN INCHES OR (METRIC) DO NOT SCALE PRINTS	DRAWN JEM	CHECKED HN	ENGINEER JEM	APPROVED HN	FSCM 58167
E	PER ECN 10499	08/05/10	JEM		DESCRIPTION PKZ RECEPTACLE DIRECT SOLDER (RG-405)	DATE 07/26/96	DRAWING NO. 26-1020-0860	PLATING OPT. A, B, C, D	
D	PER ECN 9763	01/29/09	JEM						
C	PER ECN 8747	11/22/06	JM						
B	PER ECN 6498	09/18/02	HN						
REV.	DESCRIPTION	DATE	APPR.	CATALOG ITEM					

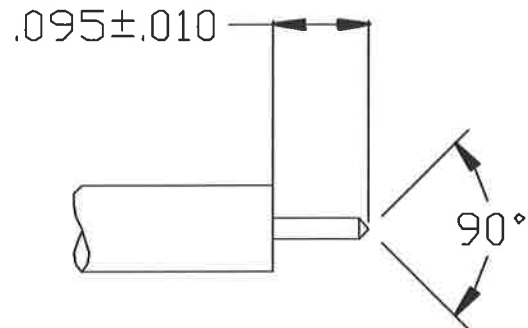
THE INFORMATION IN THIS DOCUMENT IS CONFIDENTIAL AND PROPRIETARY AND MAY NOT BE USED FOR ANY PURPOSE WITHOUT THE WRITTEN CONSENT OF PALCO.

CABLE ASSEMBLY PROCEDURE		PALEO CONNECTOR 22 GREAT HILL ROAD, NAUGATUCK, CT. 06770 PHONE: (203) 729-9090 FAX: (203) 723-1794	REV	DESCRIPTION	DATE	APPR
P/N	26-1020-0860		C	PER ECN 8747	11/22/06	JM
PAGE 1 OF 2	DATE: 07/29/96		D	PER ECN 9763	01/29/09	JEM
DRAWN: JEM	APPROVED: HN		E	PER ECN 10499	08/05/10	JEM
FOR USE WITH RG-405 S/R CABLE			F	PER ECN 10524	08/17/10	JEM

.086 S/R CABLE

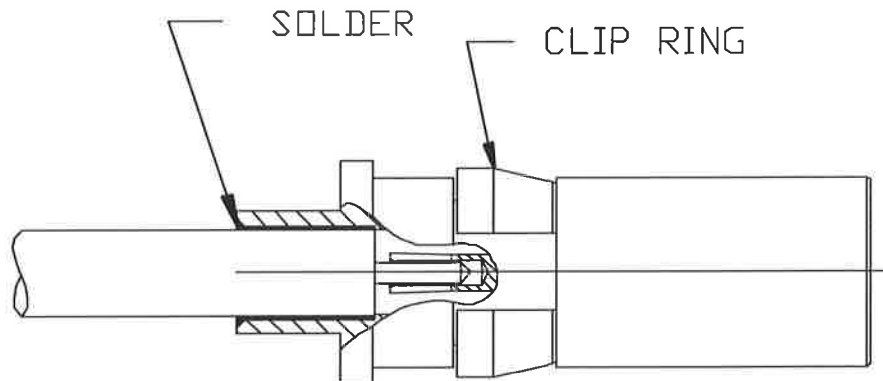
STEP 1

TRIM CABLE TO DIMENSIONS SHOWN.
POINT END AS SHOWN.



STEP 2

INSERT CABLE INTO BODY AND SOLDER AS SHOWN. CLEAN SOLDER JOINT.



CABLE ASSEMBLY PROCEDURE		 22 GREAT HILL ROAD, NAUGATUCK, CT. 06770 PHONE: (203) 729-9090 FAX: (203) 723-1794	REV	DESCRIPTION	DATE	APPR
P/N	26-1020-0860		C	PER ECN 8747	11/22/06	JM
PAGE 2 OF 2	DATE: 11/22/06		D	PER ECN 9763	01/29/09	JEM
DRAWN: YT	APPROVED: JM		E	PER ECN 10499	08/05/10	JEM
FOR USE WITH HARBOUR H7172 CABLE			F	PER ECN 10524	08/17/10	JEM

HARBOUR H7172 CABLE

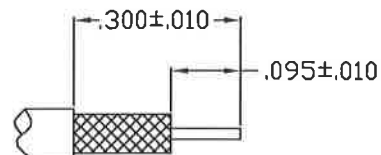
STEP 1

DIP END OF CABLE INTO FLUX AND THEN TIN DIP CABLE TO DIMENSION SHOWN USING KESTER 60/40 SOLDER @ 500° F FOR SIX SECONDS MAX.



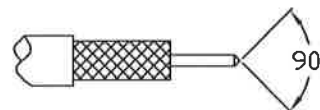
STEP 2

TRIM CABLE TO DIMENSION SHOWN.



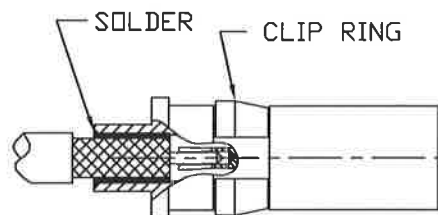
STEP 3

POINT END AS SHOWN.



STEP 4

INSERT CABLE INTO BODY AND SOLDER AS SHOWN. CLEAN SOLDER JOINT.



INTERFACE DESIGN STANDARD		PALEO CONNECTOR	REV	DESCRIPTION	DATE	APPR
IDS-26			D	PER ECN 6752	10/24/02	HN
PAGE 1 OF 2	DATE: 02/28/94		E	PER ECN 7265	01/27/04	HN
DRAWN: JEM	APPROVED: HN	22 GREAT HILL ROAD, NAUGATUCK, CT. 06770 PHONE: (203) 729-9090 FAX: (203) 723-1794	F	PER ECN 9935	05/22/09	JEM
			G	PER ECN 10145	01/20/10	JEM

DESCRIPTION: 26 SERIES, SIZE 8 PkZ®

MECHANICAL

MATERIALS

BODIES:

PLUG BODIES - BRASS PER ASTM B 16.
RECEPTACLE BODIES - BRASS PER ASTM B 16.

PLATING:

GOLD PER MIL-G-45204.
COPPER PER MIL-C-14550.
NICKEL PER QQ-N-290.

INSULATORS - VIRGIN TEFLON (PTFE) PER ASTM D 1710 AND ASTM D 1457.
RETAINING RING - BERYLLIUM COPPER PER ASTM B 196.
MALE CONTACT - BERYLLIUM COPPER PER ASTM B 197.
FEMALE CONTACTS - BERYLLIUM COPPER PER ASTM B 197.
WEATHER SEAL GASKET (OPTIONAL) -
SILICONE RUBBER PER ZZ-R-765.
EMI GASKET - BERYLLIUM COPPER ASTM B 196.

FINISHES (ADD LETTER TO END OF PART NUMBER)

"A" - .000050 MIN. GOLD OVER NICKEL
"B" - .000030 MIN. GOLD OVER NICKEL
"C" - .000050 MIN. GOLD OVER COPPER
"D" - .000030 MIN. GOLD OVER COPPER

MATING CHARACTERISTICS

OUTER BODIES _____ 3 LBS MAX. INSERTION.
2 OZ. MIN. WITHDRAWAL.
CENTER CONTACTS _____ 32 OZ. MAX. INSERTION.
.5 OZ. MIN. WITHDRAWAL.
HOUSING RETENTION _____ 12 LBS. MIN.
AXIAL MATING TOLERANCE _____ .090

ELECTRICALS

FREQUENCY RANGE: DC TO 32 GHz.
VOLTAGE RATING STRAIGHT: 1000 VRMS.
VOLTAGE RATING ANGLED: 800 VRMS.
CURRENT RATING: 5 AMPS.
INSULATION RESISTANCE: 2000 MEGOHMS MIN.
INSERTION LOSS: .06 $\sqrt{f(\text{GHz})}$ dB

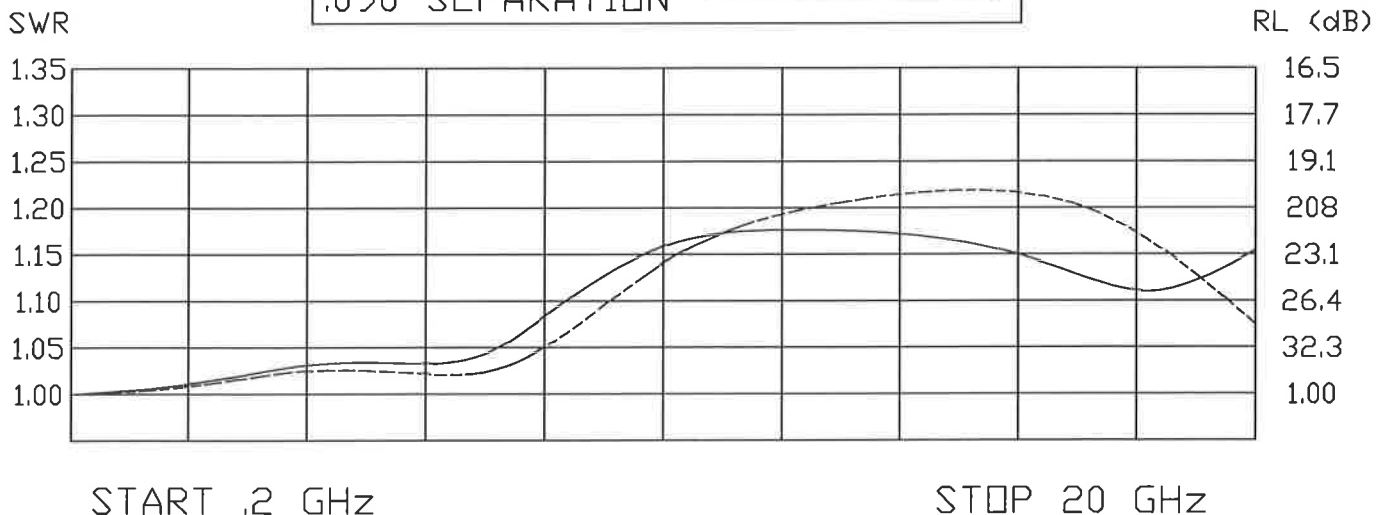
CONTACT RESISTANCE: CENTER CONTACT 5 MILLIOHMS
CONTACT RESISTANCE: OUTER CONTACT 3 MILLIOHMS
VSWR: 1.08 + .009(f) GHz., RG-402 CABLE.
1.15 + .02 (f) GHz., RG-174 & RG-316 CABLES.
1.15 + .01 (f) GHz., RG-142, 223, 303 & 400 CABLES.

ENVIRONMENTAL

OPERATING TEMPERATURE: -65°C to +165°C
VIBRATION: MIL-STD-202, METHOD 204, TEST CONDITION D.
SHOCK: MIL-STD-202, METHOD 213, TEST CONDITION I.
SALT SPRAY: MIL-STD-1344, METHOD 1001, CONDITION B.
DURABILITY: 500 CYCLES.

THERMAL SHOCK: MIL-STD-202, METHOD 107, TEST CONDITION B, EXCEPT HIGH TEMPERATURE SHALL BE +85°C.
MOISTURE RESISTANCE: MIL-STD-202, METHOD 106.
NO MEASUREMENT AT HIGH HUMIDITY. INSULATION RESISTANCE 2000 MEGOHMS AFTER HUMIDITY.

FULL MATING -----
.090 SEPARATION _____



INTERFACE DESIGN STANDARD	
IDS-26	
PAGE 2 OF 2	DATE: 06/28/94
DRAWN: JEM	APPROVED: HN

PALEO
CONNECTOR

22 GREAT HILL ROAD, NAUGATUCK, CT. 06770
PHONE: (203) 729-9090 FAX: (203) 723-1794

REV	DESCRIPTION	DATE	APPR
D	PER ECN 6752	10/24/02	HN
E	PER ECN 7625	01/27/04	HN
F	PER ECN 9935	05/22/09	JEM
G	PER ECN 10145	01/20/10	JEM

DESCRIPTION: 26 SERIES, PKZ[®] SIZE 8

	INCH	[mm]	SUFFIX
A	.250	[6.35]	MIN.
B	ϕ $\frac{.153}{.156}$	$\frac{[3.89]}{[3.96]}$	
C	$\frac{.126}{.132}$	$\frac{[3.20]}{[3.35]}$	MIN.
D	ϕ .206	[5.23]	

PLUG

	INCH	[mm]	SUFFIX
A	.245	[6.22]	MIN.
B	$\frac{.143}{.147}$	$\frac{[3.63]}{[3.73]}$	
C	ϕ .206	[5.23]	
D	ϕ $\frac{.0395}{.0410}$	$\frac{[1.00]}{[1.04]}$	
E	ϕ .157	[3.99]	MIN.

RECEPTACLE