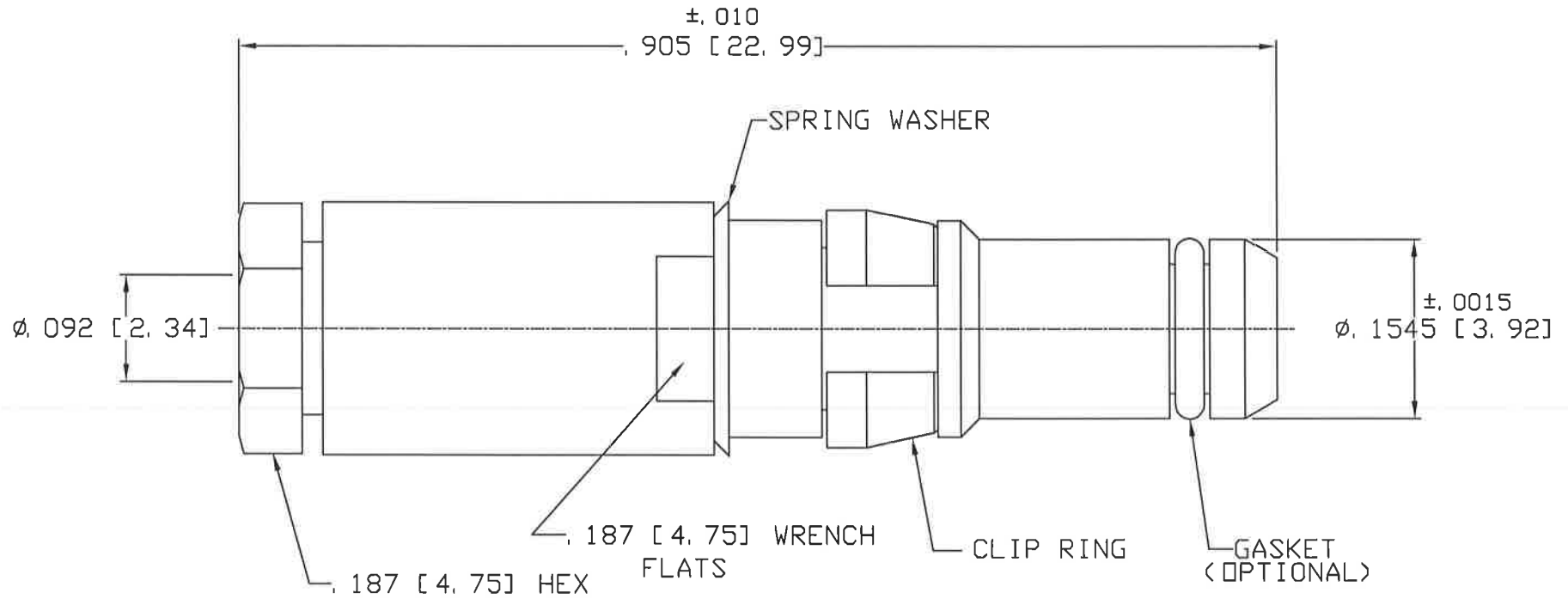


CAD DRAWING - NO MANUAL REVISIONS



26D-0030-0670	WITHOUT GASKET
26D-0031-0670	WITH GASKET

NOTES:

1. DESIGN AND INTERFACE PER I. D. S. 26.
2. ACCOMMODATES RG174, 179, 188 AND 316 CABLES.
3. CLAMP NUT, FERRULE, SPACER & BULLET SHIPPED LOOSE.
4. FOR USE IN DIN 41612 HOUSING.

F	PER ECN 10999	06/22/11	JEM	PALCO CONNECTOR 22 GREAT HILL RD., NAUGATUCK, CT 06770 UNLESS OTHERWISE SPECIFIED, PALCO WORKMANSHIP STANDARDS APPLY TOLERANCES ON: DECIMALS: XX ±.01 .XXX ±.005 ANGLES ±1/2° 32' DIMENSIONS IN INCHES OR (METRIC) DO NOT SCALE PRINTS	DRAWN EK	CHECKED JEM	ENGINEER HN	APPROVED JEM	FSCM 58167	
E	PER ECN 10696	11/10/10	JEM		DESCRIPTION PKZ PLUG SOLDER CLAMP					
D	PER ECN 10101	12/03/09	JEM			DATE 09/27/95	DRAWING NO. 26D-003X-0670A, B, C, D		PLATING OPT. A, B, C, D	
C	PER ECN 7556	07/27/04	JEM							
B	PER ECN 3380	04/22/96	HN							
REV.	DESCRIPTION	DATE	APPR.	CATALOG ITEM						

CABLE ASSEMBLY PROCEDURE	
P/N	26D-003X-0670
PAGE 1 OF 1	DATE: 07/27/04
DRAWN: EK	APPROVED: JEM
FOR RG174, 179, 188 & 316 CABLES	

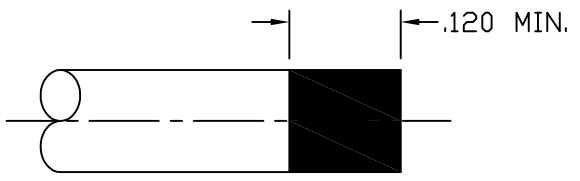
PALEO
CONNECTOR

22 GREAT HILL ROAD, NAUGATUCK, CT. 06770
PHONE: (203) 729-9090 FAX: (203) 723-1794

REV	DESCRIPTION	DATE	APPR
C	PER ECN 7556	07/27/04	JEM
D	PER ECN 10101	12/3/09	JEM
E	PER ECN 10696	11/10/10	JEM
F	PER ECN 10999	06/22/11	JEM

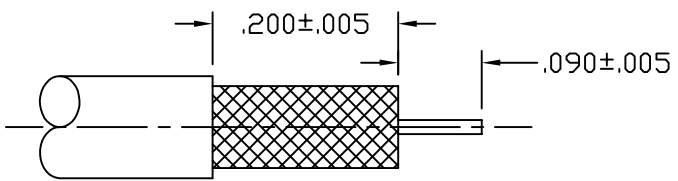
STEP 1

FLUX AND TIN DIP TO DIMENSION SHOWN.



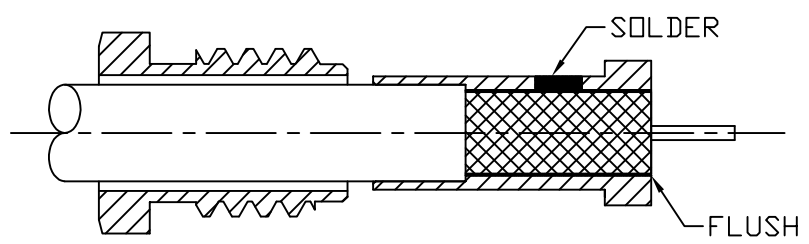
STEP 2

STRIP DIELECTRIC TO EXPOSE CENTER CONDUCTOR. STRIP OUTER JACKET TO EXPOSE BRAID. TIN CENTER CONDUCTOR.



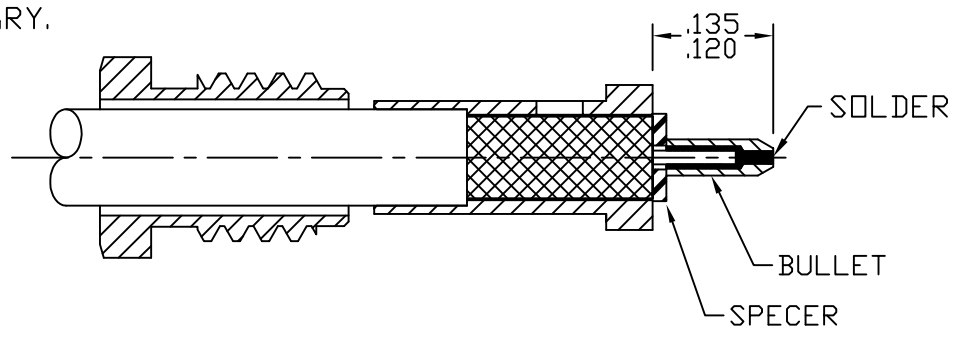
STEP 3

SLIDE CLAMP NUT AND SOLDER FERRULE OVER CABLE. SOLDER FERRULE THROUGH HOLE ON SIDE OF FERRULE. TRIM DIELECTRIC AND BRAID FLUSH TO FERRULE SURFACE IF NECESSARY.



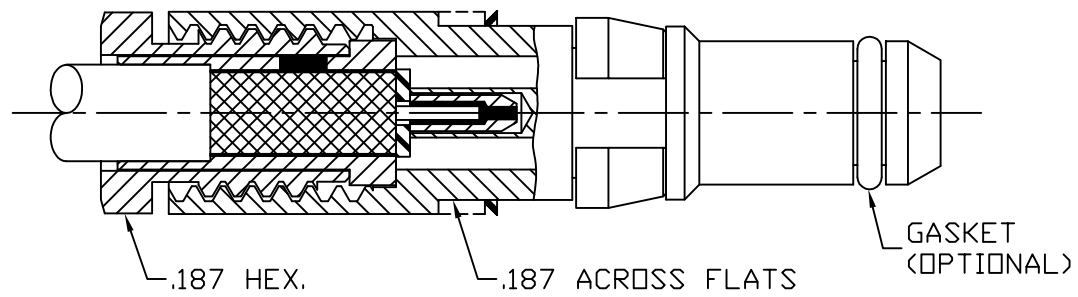
STEP 4

SLIDE SPACER OVER CENTER CONDUCTOR. SOLDER BULLET TO CENTER CONDUCTOR. CLEAN.



STEP 5

INSERT ASSEMBLY INTO CONNECTOR BODY. TIGHTEN CLAMP NUT TO 90-100 IN-OZS.



INTERFACE DESIGN STANDARD		PALEO CONNECTOR	REV	DESCRIPTION	DATE	APPR
IDS-26			D	PER ECN 6752	10/24/02	HN
PAGE 1 OF 2	DATE: 02/28/94		E	PER ECN 7265	01/27/04	HN
DRAWN: JEM	APPROVED: HN	22 GREAT HILL ROAD, NAUGATUCK, CT. 06770 PHONE: (203) 729-9090 FAX: (203) 723-1794	F	PER ECN 9935	05/22/09	JEM
			G	PER ECN 10145	01/20/10	JEM

DESCRIPTION: 26 SERIES, SIZE 8 PkZ®

MECHANICAL

MATERIALS

BODIES:

PLUG BODIES - BRASS PER ASTM B 16.
RECEPTACLE BODIES - BRASS PER ASTM B 16.

PLATING:

GOLD PER MIL-G-45204.
COPPER PER MIL-C-14550.
NICKEL PER QQ-N-290.

INSULATORS - VIRGIN TEFLON (PTFE) PER ASTM D 1710 AND ASTM D 1457.
RETAINING RING - BERYLLIUM COPPER PER ASTM B 196.
MALE CONTACT - BERYLLIUM COPPER PER ASTM B 197.
FEMALE CONTACTS - BERYLLIUM COPPER PER ASTM B 197.
WEATHER SEAL GASKET (OPTIONAL) - SILICONE RUBBER PER ZZ-R-765.
EMI GASKET - BERYLLIUM COPPER ASTM B 196.

FINISHES (ADD LETTER TO END OF PART NUMBER)

"A" - .000050 MIN. GOLD OVER NICKEL
"B" - .000030 MIN. GOLD OVER NICKEL
"C" - .000050 MIN. GOLD OVER COPPER
"D" - .000030 MIN. GOLD OVER COPPER

MATING CHARACTERISTICS

OUTER BODIES _____ 3 LBS MAX. INSERTION.
2 OZ. MIN. WITHDRAWAL.
CENTER CONTACTS _____ 32 OZ. MAX. INSERTION.
.5 OZ. MIN. WITHDRAWAL.
HOUSING RETENTION _____ 12 LBS. MIN.
AXIAL MATING TOLERANCE _____ .090

ELECTRICALS

FREQUENCY RANGE: DC TO 32 GHz.
VOLTAGE RATING STRAIGHT: 1000 VRMS.
VOLTAGE RATING ANGLED: 800 VRMS.
CURRENT RATING: 5 AMPS.
INSULATION RESISTANCE: 2000 MEGOHMS MIN.
INSERTION LOSS: .06 $\sqrt{f(\text{GHz})}$ dB

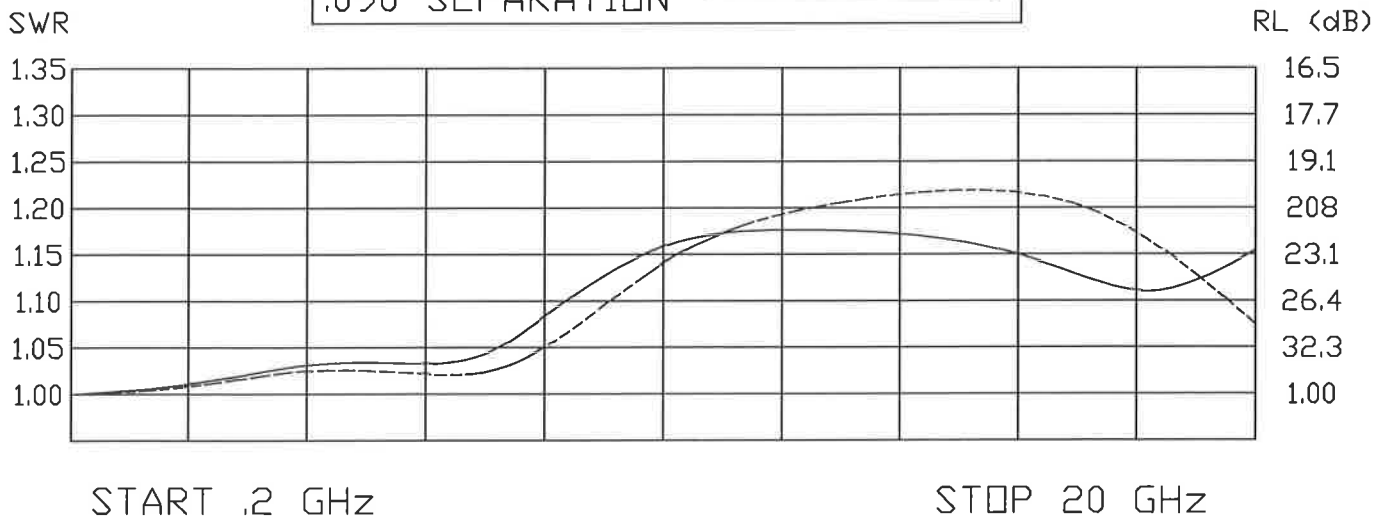
CONTACT RESISTANCE: CENTER CONTACT 5 MILLIOHMS
CONTACT RESISTANCE: OUTER CONTACT 3 MILLIOHMS
VSWR: 1.08 + .009(f) GHz., RG-402 CABLE.
1.15 + .02 (f) GHz., RG-174 & RG-316 CABLES.
1.15 + .01 (f) GHz., RG-142, 223, 303 & 400 CABLES.

ENVIRONMENTAL

OPERATING TEMPERATURE: -65°C to +165°C
VIBRATION: MIL-STD-202, METHOD 204, TEST CONDITION D.
SHOCK: MIL-STD-202, METHOD 213, TEST CONDITION I.
SALT SPRAY: MIL-STD-1344, METHOD 1001, CONDITION B.
DURABILITY: 500 CYCLES.

THERMAL SHOCK: MIL-STD-202, METHOD 107, TEST CONDITION B, EXCEPT HIGH TEMPERATURE SHALL BE +85°C.
MOISTURE RESISTANCE: MIL-STD-202, METHOD 106.
NO MEASUREMENT AT HIGH HUMIDITY. INSULATION RESISTANCE 2000 MEGOHMS AFTER HUMIDITY.

FULL MATING _____
.090 SEPARATION _____



INTERFACE DESIGN STANDARD	
IDS-26	
PAGE 2 OF 2	DATE: 06/28/94
DRAWN: JEM	APPROVED: HN

PALEO
CONNECTOR

22 GREAT HILL ROAD, NAUGATUCK, CT. 06770
PHONE: (203) 729-9090 FAX: (203) 723-1794

REV	DESCRIPTION	DATE	APPR
D	PER ECN 6752	10/24/02	HN
E	PER ECN 7625	01/27/04	HN
F	PER ECN 9935	05/22/09	JEM
G	PER ECN 10145	01/20/10	JEM

DESCRIPTION: 26 SERIES, PKZ[®] SIZE 8

	INCH	[mm]	SUFFIX
A	.250	[6.35]	MIN.
B	ϕ $\frac{.153}{.156}$	$\frac{[3.89]}{[3.96]}$	
C	$\frac{.126}{.132}$	$\frac{[3.20]}{[3.35]}$	MIN.
D	ϕ .206	[5.23]	

PLUG

	INCH	[mm]	SUFFIX
A	.245	[6.22]	MIN.
B	$\frac{.143}{.147}$	$\frac{[3.63]}{[3.73]}$	
C	ϕ .206	[5.23]	
D	ϕ $\frac{.0395}{.0410}$	$\frac{[1.00]}{[1.04]}$	
E	ϕ .157	[3.99]	MIN.

RECEPTACLE