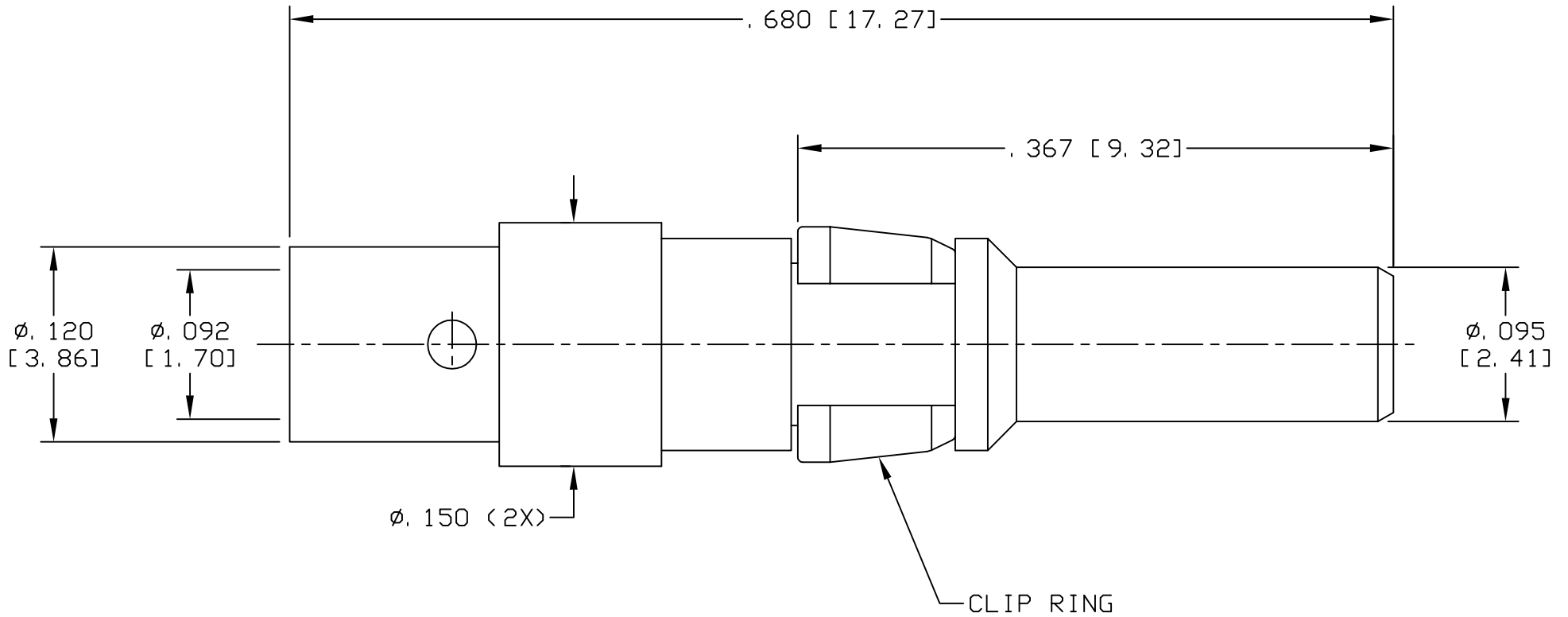


CAD DRAWING - NO MANUAL REVISIONS



NOTES:

1. DESIGN AND INTERFACE PER IDS-56A.
2. ACCOMMODATES RG-405 OR EQUIVALENT CABLES.
3. FOR USE IN BENDIX LRM OR SIZE 12 D-SUB HOUSINGS.
4. CONTACT/INSULATOR SUB-ASSEMBLY AND SPACER SUPPLIED LOOSE.

				<p><b>PALCO CONNECTOR</b></p> <p>22 GREAT HILL RD., NAUGATUCK, CT 06770</p> <p>UNLESS OTHERWISE SPECIFIED, PALCO WORKMANSHIP STANDARDS APPLY</p> <p>TOLERANCES ON: DECIMALS: XX ± .01 .XXX ± .005 ANGLES ±1/2° 32√</p> <p>DIMENSIONS IN INCHES OR (METRIC) DO NOT SCALE PRINTS</p>	DRAWN JEM	CHECKED JEM	ENGINEER JEM	APPROVED JEM	FSCM 58167
C	PER ECN 11721	07/17/13	JEM			DESCRIPTION SIZE 12 PkZ PLUG, DIRECT SOLDER			
B	PER ECN 11646	04/19/13	JEM			DATE 10/24/12			
A	PER ECN 11573	03/04/13	JEM		DRAWING NO. 56-0202-0860				
01	PROTOTYPE	10/24/12	JEM		PLATING OPT. A, B, C, D				
REV.	DESCRIPTION	DATE	APPR.	CATALOG ITEM					

CABLE ASSEMBLY PROCEDURE

P/N 56-0202-0860

PAGE 1 OF 1 DATE: 03/04/13

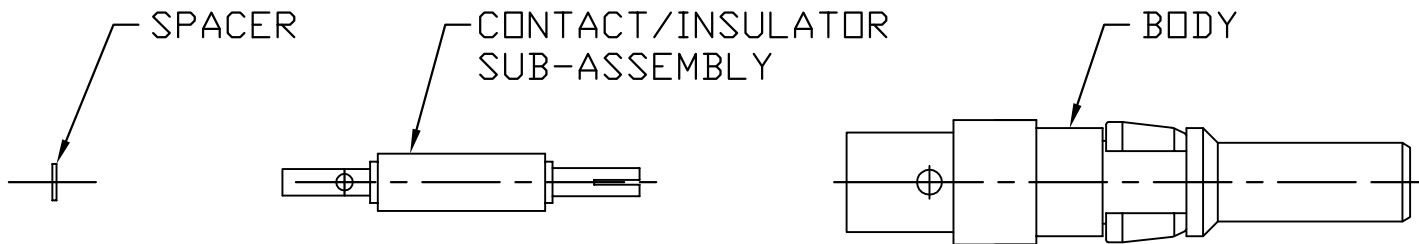
DRAWN: JEM APPROVED: JEM

FOR USE WITH RG-405 CABLE

**PALEO**  
**CONNECTOR**

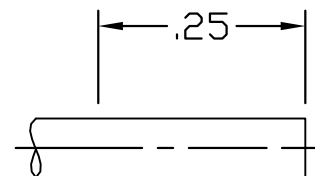
22 GREAT HILL ROAD, NAUGATUCK, CT. 06770  
PHONE: (203) 729-9090 FAX: (203) 723-1794

REV	DESCRIPTION	DATE	APPR
A	PER ECN 11573	03/04/13	JEM
B	PER ECN 11646	04/19/13	JEM
C	PER ECN 11721	07/17/13	JEM



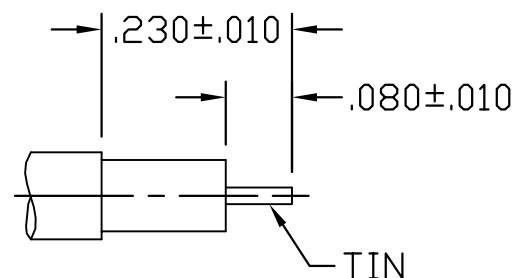
STEP 1

DIP END OF CABLE INTO FLUX AND THEN TIP DIP CABLE TO DIMENSIONS SHOWN USING KESTER 63/37 SOLDER AND SOLDER POT @ 500°F FOR SIX SECONDS MAX. (NOTE: FOR T-FLEX TYPE CABLES ONLY).



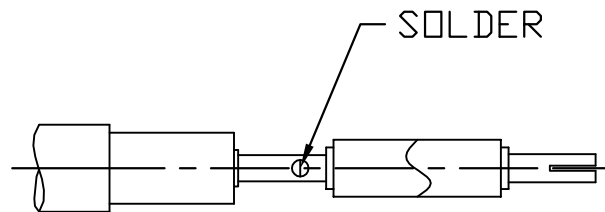
STEP 2

TRIM CABLE TO DIMENSIONS SHOWN. (.230±.010 FOR T-FLEX CABLES) TIN CENTER CONDUCTOR.



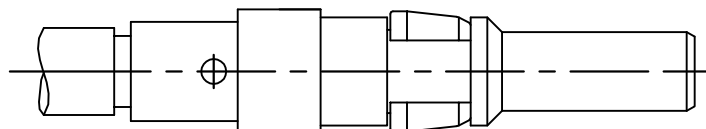
STEP 3

SLIDE SPACER AND CONTACT/INSULATOR SUB-ASSEMBLY ONTO CENTER CONDUCTOR AS SHOWN. SOLDER CONTACT TO CENTER CONDUCTOR. CLEAN SOLDER JOINT.



STEP 4

INSERT ABOVE CABLE INTO CONNECTOR BODY UNTIL CABLE BOTTOMS. SOLDER BODY TO CABLE. CLEAN SOLDER JOINT.



4

3

2

1

SPECIFICATIONS:

1.) MATERIALS:  
 INSERTS: VALOX, TYPE GPT-30F, PER MIL-M-24519.  
 SHELLS: COLD ROLLED STEEL, PER ASTM A568 AND ASTM A620.

2.) FINISHES AND COLOR:  
 INSERT: BLACK.  
 SHELLS: RoHS COMPLIANT, HIGH RESISTANCE CLEAR CHROMATE OVER ZINC, PER ASTM B633, CLASS FE/ZN12 (.000500 MIN.), SERVICE CONDITION SC3, TYPE III.

3.) ELECTRICAL PROPERTIES:  
 DIELECTRIC STRENGTH:  
 500 TO 1,000 VOLTS RMS AT SEA LEVEL;  
 200 TO 325 VOLTS RMS AT 70,000 FEET.  
 INSULATION RESISTANCE: 1 MEGOHM MINIMUM.

4.) MECHANICAL PROPERTIES:  
 OPERATING TEMPERATURE: -67° F TO +257° F ( -55° C TO +125° C ).  
 SHOCK RESISTANCE: NO INTERRUPTION OF ELECTRICAL CONTINUITY LONGER THAN 1 MICROSECOND.  
 VIBRATION RESISTANCE: NO INTERRUPTION OF ELECTRICAL CONTINUITY LONGER THAN 1 MICROSECOND.

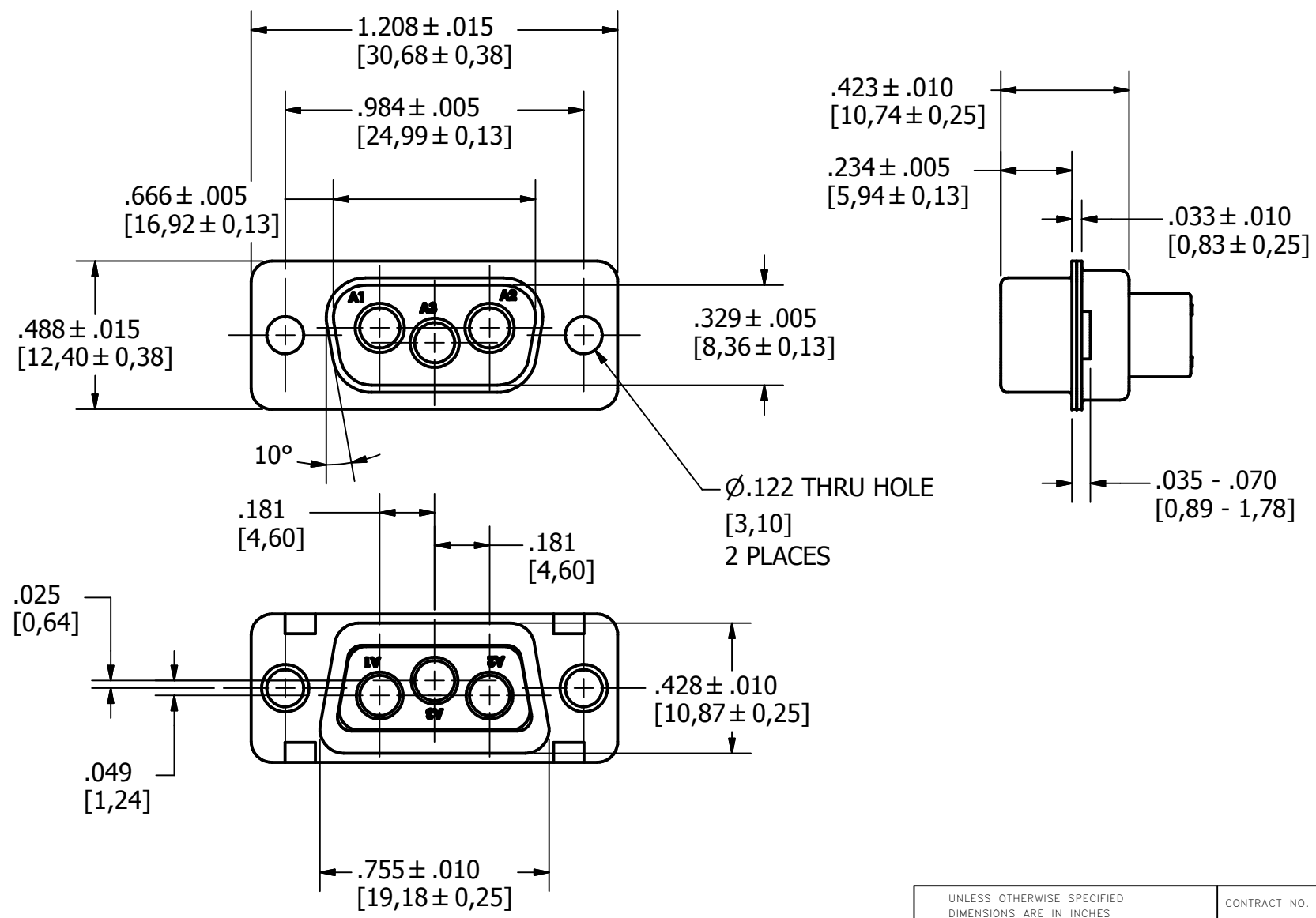
5.) DIMENSIONS ARE FOR REFERENCE ONLY, UNLESS OTHERWISE SPECIFIED.

6.) CONNECTOR MEETS REQUIREMENTS OF MIL-C-24308, LATEST REVISION.

7.) ABOVE REQUIREMENTS DO NOT INCLUDE PDM AND PKZ CONTACTS, PLEASE SEE INDIVIDUAL SPECIFICATION SHEETS.

8.) METRIC DIMENSIONS ARE SHOWN FOR REFERENCE, CONNECTORS ARE DESIGNED IN INCHES.

REV	DESCRIPTION	DATE	APPROVAL
A	ECN#11740 RELEASED FOR PRODUCTION	7/26/2013	



NEXT ASSEMBLY	USED ON

UNLESS OTHERWISE SPECIFIED DIMENSIONS ARE IN INCHES TOLERANCES ARE: FRACTIONS DECIMALS ANGLES ± 1/64 .XX ± .01 ± 1/2° .XXX ± .003	CONTRACT NO.	
	APPROVALS	DATE
THE INFORMATION DISCLOSED IN THIS DOCUMENT IS CONFIDENTIAL AND PROPRIETARY TO PHOENIX CO. INC. AND MAY NOT BE USED FOR MANUFACTURE OR ANY OTHER PURPOSE WITHOUT THE WRITTEN CONSENT OF MIL-CON INC.	DRAWN	4/25/2013
	CHECKED	
	ISSUED	

<i>The PHOENIX Company of Chicago™</i>			
<b>HD, D-SUB CONNECTOR, SIZE 12 PTRP3W35, PLUG, CLRCROM / ZINC</b>			
SIZE	FSCM NO.	DWG. NO.	REV.
B	60563	PTRP3W35	A
SCALE 2 X1		SHEET 1 OF 1	

4

3

2

1

4

3

2

1

SPECIFICATIONS:

1.) MATERIALS:  
 INSERTS: VALOX, TYPE GPT-30F, PER MIL-M-24519.  
 SHELLS: COLD ROLLED STEEL, PER ASTM A568 AND ASTM A620.

2.) FINISHES AND COLOR:  
 INSERT: BLACK.  
 SHELLS: RoHS COMPLIANT, HIGH RESISTANCE CLEAR CHROMATE OVER ZINC, PER ASTM B633, CLASS FE/ZN12 (.000500 MIN.), SERVICE CONDITION SC3, TYPE III.

3.) ELECTRICAL PROPERTIES:  
 DIELECTRIC STRENGTH:  
 500 TO 1,000 VOLTS RMS AT SEA LEVEL;  
 200 TO 325 VOLTS RMS AT 70,000 FEET.  
 INSULATION RESISTANCE: 1 MEGOHM MINIMUM.

4.) MECHANICAL PROPERTIES:  
 OPERATING TEMPERATURE: -67° F TO +257° F ( -55° C TO +125° C ).  
 SHOCK RESISTANCE: NO INTERRUPTION OF ELECTRICAL CONTINUITY LONGER THAN 1 MICROSECOND.  
 VIBRATION RESISTANCE: NO INTERRUPTION OF ELECTRICAL CONTINUITY LONGER THAN 1 MICROSECOND.

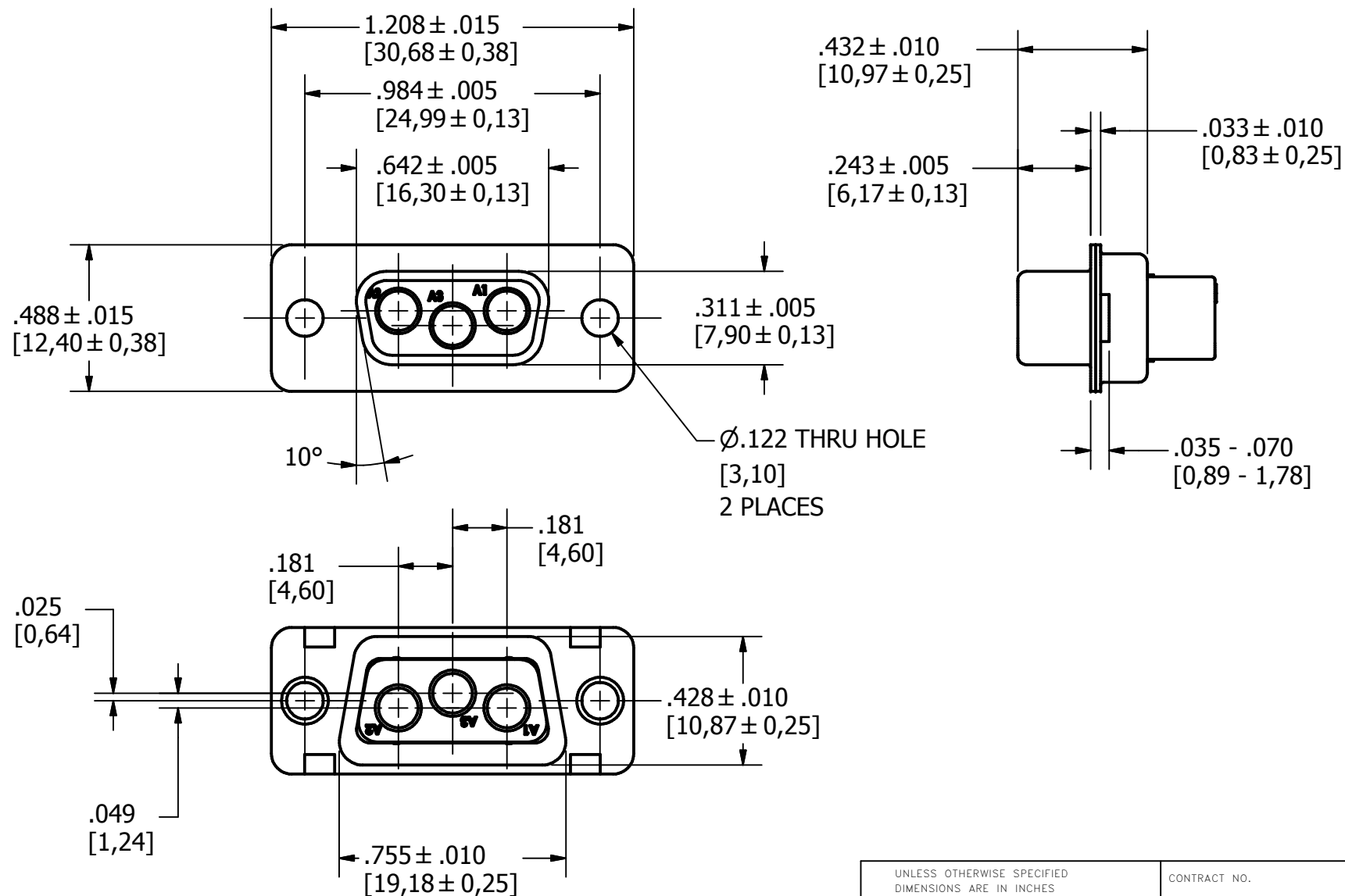
5.) DIMENSIONS ARE FOR REFERENCE ONLY, UNLESS OTHERWISE SPECIFIED.

6.) CONNECTOR MEETS REQUIREMENTS OF MIL-C-24308, LATEST REVISION.

7.) ABOVE REQUIREMENTS DO NOT INCLUDE PDM AND PKZ CONTACTS, PLEASE SEE INDIVIDUAL SPECIFICATION SHEETS.

8.) METRIC DIMENSIONS ARE SHOWN FOR REFERENCE, CONNECTORS ARE DESIGNED IN INCHES.

REV	DESCRIPTION	DATE	APPROVAL
A	ECN#11740 RELEASED FOR PRODUCTION	7/26/2013	



APPROVALS	DATE
DRAWN R.M.Bradley	4/25/2013
CHECKED	
ISSUED	

CONTRACT NO.	DATE

SIZE	FSCM NO.	DWG. NO.	REV.
B	60563	PTRR3W35	A

SCALE	SHEET	OF
2 X 1	1	1

UNLESS OTHERWISE SPECIFIED DIMENSIONS ARE IN INCHES TOLERANCES ARE:

FRACTIONS	DECIMALS	ANGLES
± 1/64	.XX ± .01	± 1/2°
	.XXX ± .003	

THE INFORMATION DISCLOSED IN THIS DOCUMENT IS CONFIDENTIAL AND PROPRIETARY TO PHOENIX CO. INC. AND MAY NOT BE USED FOR MANUFACTURE OR ANY OTHER PURPOSE WITHOUT THE WRITTEN CONSENT OF MIL-CON INC.

DO NOT SCALE DRAWING

CONTRACT NO.

*The PHOENIX Company of Chicago™*

**HD, D-SUB CONNECTOR, SIZE 12  
 PTRR3W35, RECEPTACLE, CLRCROM / ZINC**

APPROVALS

DATE

SCALE 2 X 1

SHEET 1 OF 1

4

3

2

1

**SPECIFICATIONS:**

1.) MATERIALS:  
 INSERTS: VALOX, TYPE GPT-30F, PER MIL-M-24519.  
 SHELLS: COLD ROLLED STEEL, PER ASTM A568 AND ASTM A620.

2.) FINISHES AND COLOR:  
 INSERT: BLACK.  
 SHELLS: ROHS COMPLIANT, HIGH RESISTANCE CLEAR CHROMATE OVER ZINC, PER ASTM B633, CLASS FE/ZN12 (.000500 MIN.), SERVICE CONDITION SC3, TYPE III.

3.) ELECTRICAL PROPERTIES:  
 DIELECTRIC STRENGTH:  
 500 TO 1,000 VOLTS RMS AT SEA LEVEL;  
 200 TO 325 VOLTS RMS AT 70,000 FEET.  
 INSULATION RESISTANCE: 1 MEGOHM MINIMUM.

4.) MECHANICAL PROPERTIES:  
 OPERATING TEMPERATURE: -67° F TO +257° F (-55° C TO +125° C).  
 SHOCK RESISTANCE: NO INTERRUPTION OF ELECTRICAL CONTINUITY LONGER THAN 1 MICROSECOND.  
 VIBRATION RESISTANCE: NO INTERRUPTION OF ELECTRICAL CONTINUITY LONGER THAN 1 MICROSECOND.

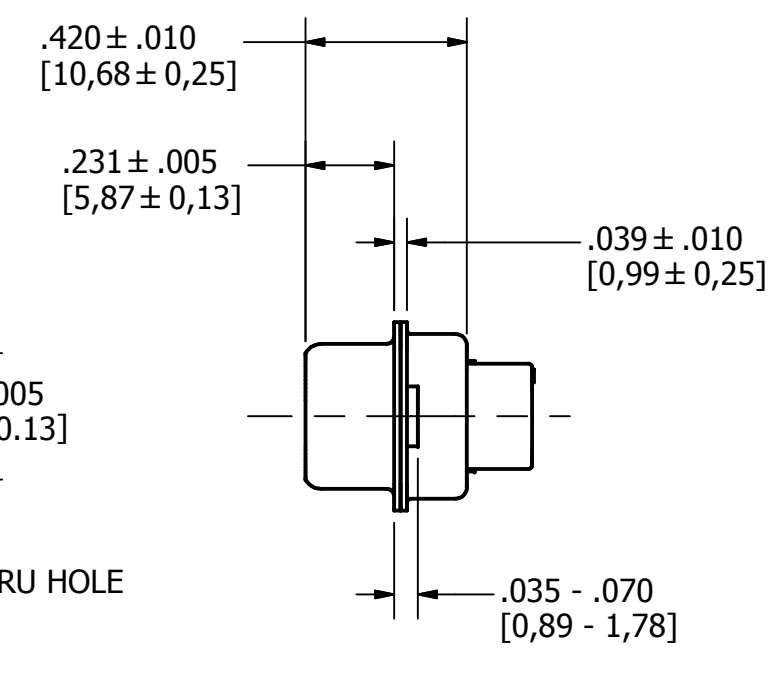
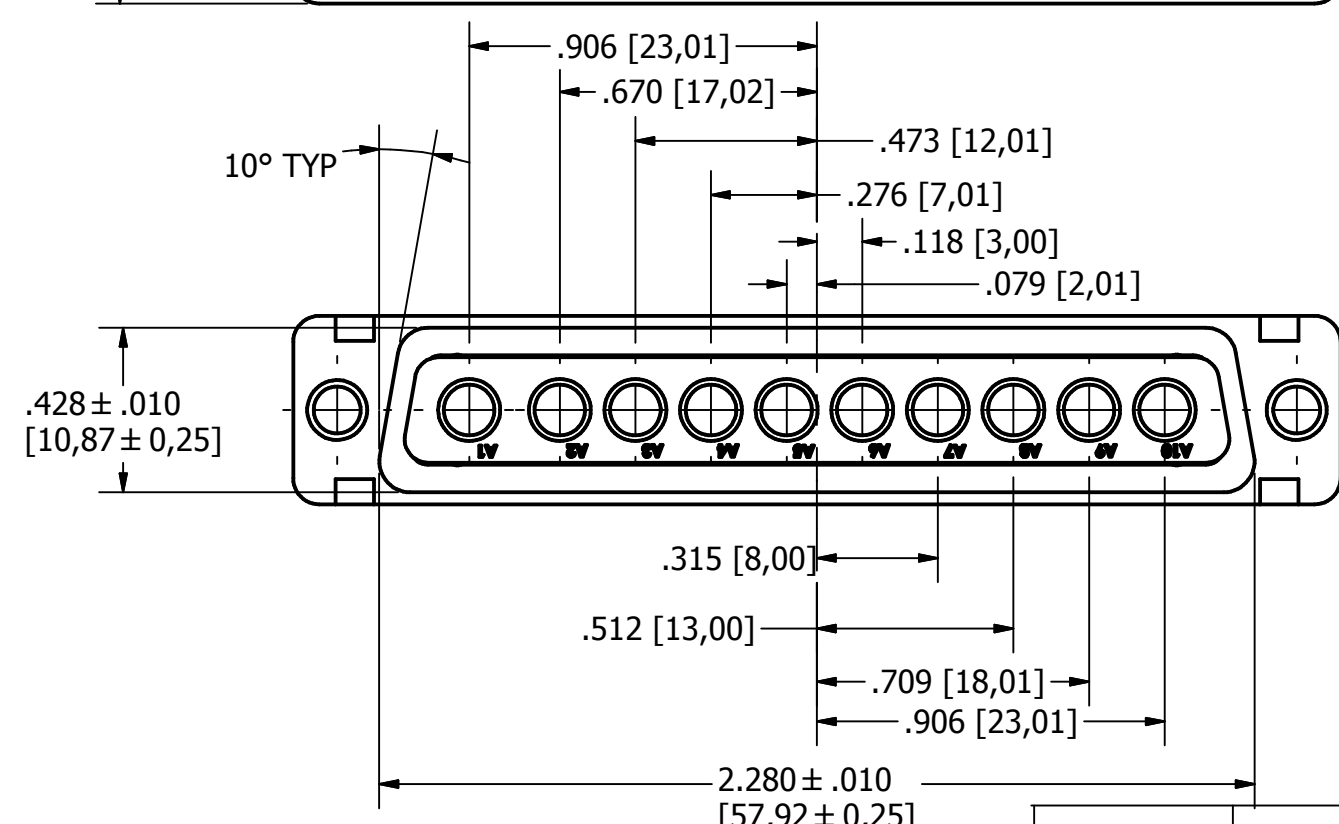
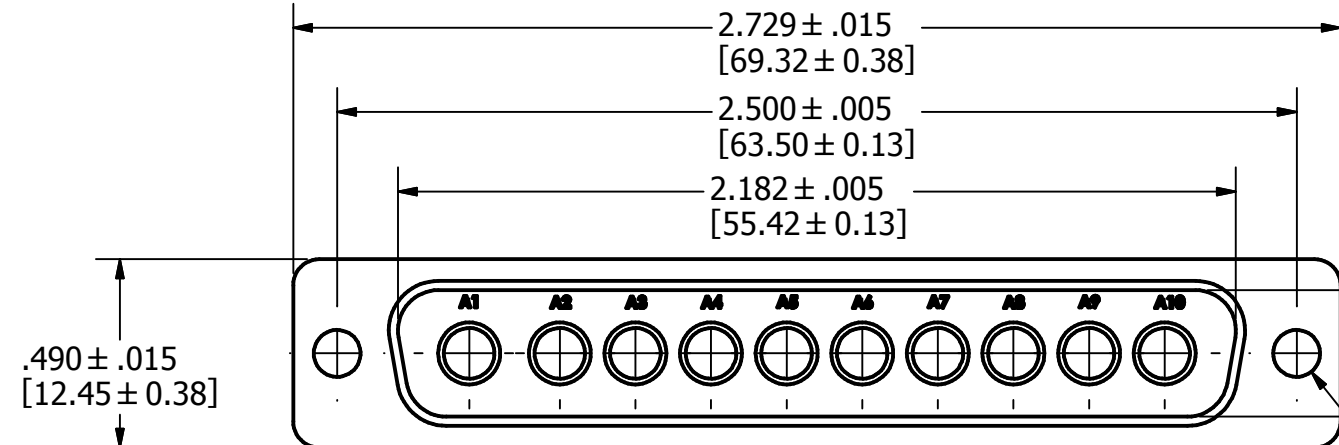
5.) DIMENSIONS ARE FOR REFERENCE ONLY, UNLESS OTHERWISE SPECIFIED.

6.) CONNECTOR MEETS REQUIREMENTS OF MIL-C-24308, LATEST REVISION.

7.) ABOVE REQUIREMENTS DO NOT INCLUDE PDM AND PKZ CONTACTS, PLEASE SEE INDIVIDUAL SPECIFICATION SHEETS.

8.) METRIC DIMENSIONS ARE SHOWN FOR REFERENCE, CONNECTORS ARE DESIGNED IN INCHES.

REV	DESCRIPTION	DATE	APPROVAL
A	ECN#11740 RELEASED FOR PRODUCTION	7/26/2013	



UNLESS OTHERWISE SPECIFIED DIMENSIONS ARE IN INCHES TOLERANCES ARE: FRACTIONS DECIMALS ANGLES $\pm 1/64$ .XX ± .01 $\pm 1/2'$ .XXX ± .003		CONTRACT NO.		The PHOENIX Company of Chicago™			
THE INFORMATION DISCLOSED IN THIS DOCUMENT IS CONFIDENTIAL AND PROPRIETARY TO PHOENIX CO. INC. AND MAY NOT BE USED FOR MANUFACTURE OR ANY OTHER PURPOSE WITHOUT THE WRITTEN CONSENT OF MIL-CON INC.		APPROVALS	DATE				
NEXT ASSEMBLY	USED ON	DRAWN R.M. Bradley	4/16/2013	SIZE B	FSCM NO. 60563	DWG. NO. PTRP10W105	REV. A
APPLICATIONS		DO NOT SCALE DRAWING		SCALE 2 X 1	SHEET 1 OF 1		

4

3

2

1

SPECIFICATIONS:

1.) MATERIALS:  
 INSERTS: VALOX, TYPE GPT-30F, PER MIL-M-24519.  
 SHELLS: COLD ROLLED STEEL, PER ASTM A568 AND ASTM A620.

2.) FINISHES AND COLOR:  
 INSERT: BLACK.  
 SHELLS: RoHS COMPLIANT, HIGH RESISTANCE CLEAR CHROMATE OVER ZINC, PER ASTM B633, CLASS FE/ZN12 (.000500 MIN.), SERVICE CONDITION SC3, TYPE III.

3.) ELECTRICAL PROPERTIES:  
 DIELECTRIC STRENGTH:  
 500 TO 1,000 VOLTS RMS AT SEA LEVEL;  
 200 TO 325 VOLTS RMS AT 70,000 FEET.  
 INSULATION RESISTANCE: 1 MEGOHM MINIMUM.

4.) MECHANICAL PROPERTIES:  
 OPERATING TEMPERATURE: -67° F TO +257° F ( -55° C TO +125° C ).  
 SHOCK RESISTANCE: NO INTERRUPTION OF ELECTRICAL CONTINUITY LONGER THAN 1 MICROSECOND.  
 VIBRATION RESISTANCE: NO INTERRUPTION OF ELECTRICAL CONTINUITY LONGER THAN 1 MICROSECOND.

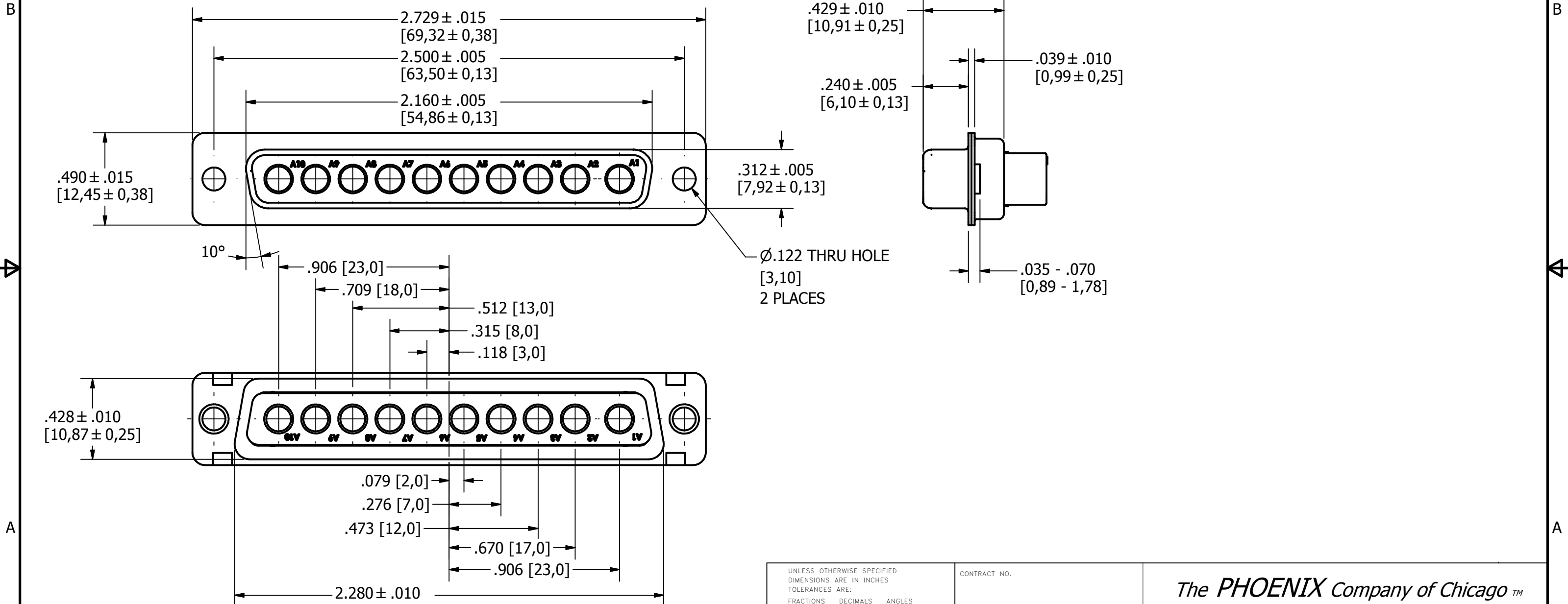
5.) DIMENSIONS ARE FOR REFERENCE ONLY, UNLESS OTHERWISE SPECIFIED.

6.) CONNECTOR MEETS REQUIREMENTS OF MIL-C-24308, LATEST REVISION.

7.) ABOVE REQUIREMENTS DO NOT INCLUDE PDM AND PKZ CONTACTS, PLEASE SEE INDIVIDUAL SPECIFICATION SHEETS.

8.) METRIC DIMENSIONS ARE SHOWN FOR REFERENCE, CONNECTORS ARE DESIGNED IN INCHES.

REV	DESCRIPTION	DATE	APPROVAL
A	ECN#11740 RELEASED FOR PRODUCTION	7/26/2013	



NEXT ASSEMBLY	USED ON
APPLICATIONS	DO NOT SCALE DRAWING

UNLESS OTHERWISE SPECIFIED DIMENSIONS ARE IN INCHES TOLERANCES ARE: FRACTIONS DECIMALS ANGLES ± 1/64 .XX ± .01 ± 1/2° .XXX ± .003		CONTRACT NO.		The <i>PHOENIX</i> Company of Chicago™	
THE INFORMATION DISCLOSED IN THIS DOCUMENT IS CONFIDENTIAL AND PROPRIETARY TO PHOENIX CO. INC. AND MAY NOT BE USED FOR MANUFACTURE OR ANY OTHER PURPOSE WITHOUT THE WRITTEN CONSENT OF MIL-CON INC.		APPROVALS DRAWN <b>R.M.Bradley</b> CHECKED ISSUED	DATE 4/16/2013	HD, D-SUB CONNECTOR, SIZE 12 PTRR10W105 RECEPTACLE, CLRCROM / ZINC	
SIZE B		FSCM NO. 60563	DWG. NO. PTRR10W105	REV. A	
SCALE 2 X 1		SHEET 1 OF 1			

4

3

2

1

SPECIFICATIONS:  
 1.) MATERIALS:  
 INSERTS: VALOX, TYPE GPT-30F, PER MIL-M-24519.  
 SHELLS: COLD ROLLED STEEL, PER ASTM A568 AND ASTM A620.

2.) FINISHES AND COLOR:  
 INSERT: BLACK.  
 SHELLS: RoHS COMPLIANT, HIGH RESISTANCE CLEAR CHROMATE OVER ZINC, PER ASTM B633, CLASS FE/ZN12 (.000500 MIN.), SERVICE CONDITION SC3, TYPE III.

3.) ELECTRICAL PROPERTIES:  
 DIELECTRIC STRENGTH:  
 500 TO 1,000 VOLTS RMS AT SEA LEVEL;  
 200 TO 325 VOLTS RMS AT 70,000 FEET.  
 INSULATION RESISTANCE: 1 MEGOHM MINIMUM.

4.) MECHANICAL PROPERTIES:  
 OPERATING TEMPERATURE: -67° F TO +257° F ( -55° C TO +125° C ).  
 SHOCK RESISTANCE: NO INTERRUPTION OF ELECTRICAL CONTINUITY LONGER THAN 1 MICROSECOND.  
 VIBRATION RESISTANCE: NO INTERRUPTION OF ELECTRICAL CONTINUITY LONGER THAN 1 MICROSECOND.

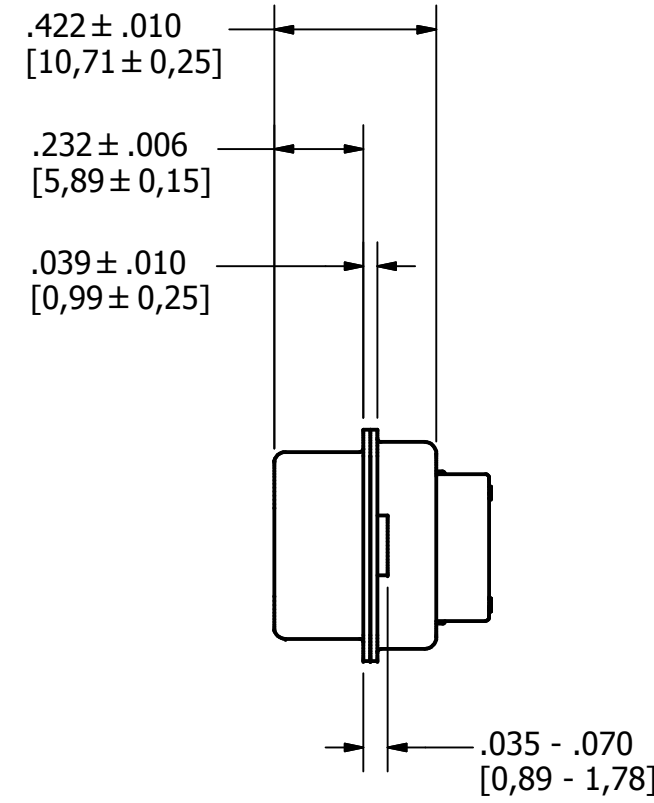
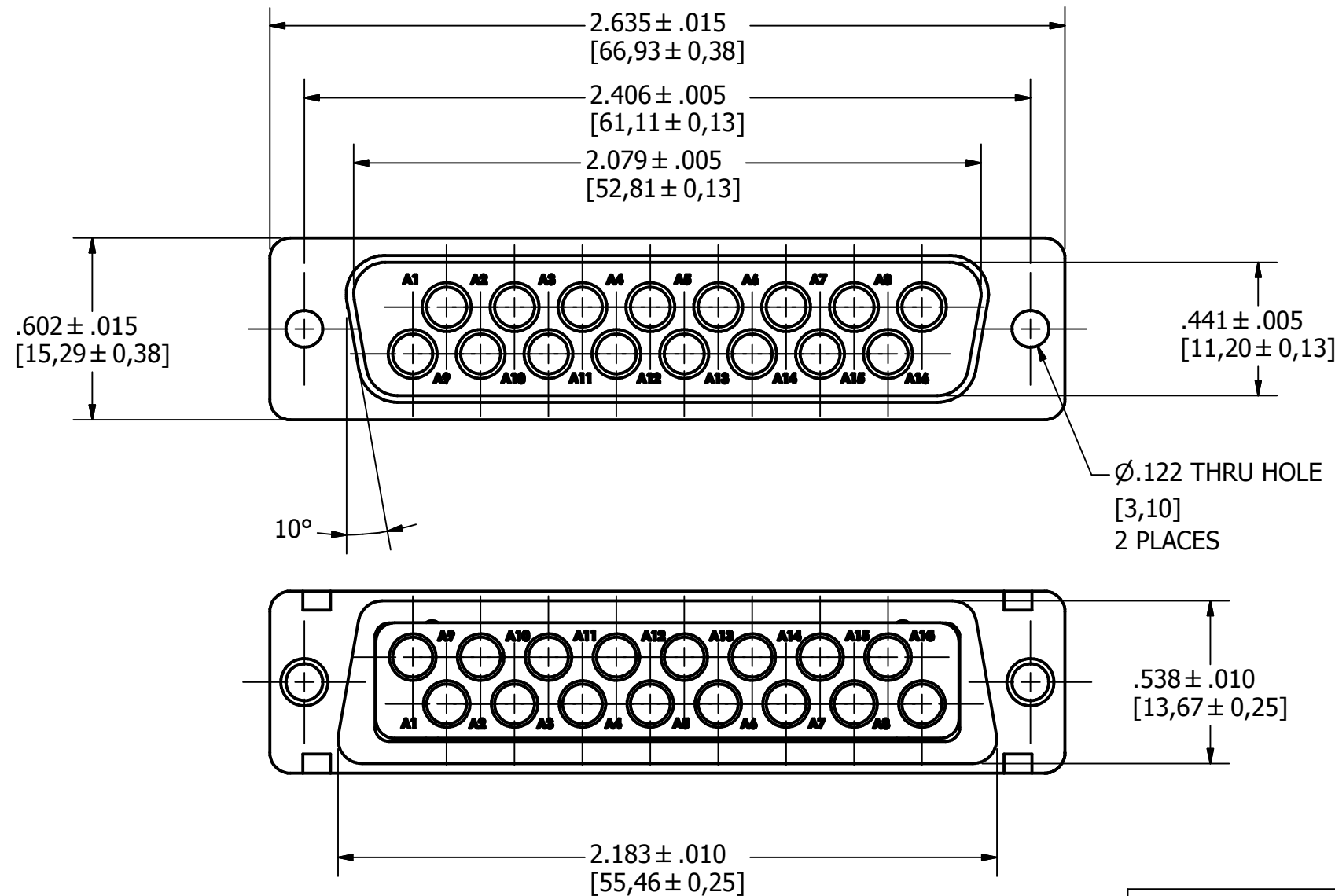
5.) DIMENSIONS ARE FOR REFERENCE ONLY, UNLESS OTHERWISE SPECIFIED.

6.) CONNECTOR MEETS REQUIREMENTS OF MIL-C-24308, LATEST REVISION.

7.) ABOVE REQUIREMENTS DO NOT INCLUDE PDM AND PKZ CONTACTS, PLEASE SEE INDIVIDUAL SPECIFICATION SHEETS.

8.) METRIC DIMENSIONS ARE SHOWN FOR REFERENCE, CONNECTORS ARE DESIGNED IN INCHES.

REV	DESCRIPTION	DATE	APPROVAL
A	ECN#11740 RELEASED FOR PRODUCTION	7/26/2013	



NEXT ASSEMBLY	USED ON
APPLICATIONS	DO NOT SCALE DRAWING

UNLESS OTHERWISE SPECIFIED DIMENSIONS ARE IN INCHES TOLERANCES ARE: FRACTIONS DECIMALS ANGLES ± 1/64 .XX ± .01 ± 1/2° .XXX ± .003		CONTRACT NO.
THE INFORMATION DISCLOSED IN THIS DOCUMENT IS CONFIDENTIAL AND PROPRIETARY TO PHOENIX CO. INC. AND MAY NOT BE USED FOR MANUFACTURE OR ANY OTHER PURPOSE WITHOUT THE WRITTEN CONSENT OF MIL-CON INC.		APPROVALS DRAWN: R.M. Bradley CHECKED: ISSUED:
		DATE 4/19/2013

<i>The PHOENIX Company of Chicago™</i>			
<b>HD, D-SUB CONNECTOR, SIZE 12 PTRP16W165, PLUG, CLRCROM / ZINC</b>			
SIZE B	FSCM NO. 60563	DWG. NO. PTRP16W165	REV. A
SCALE 2 X 1		SHEET 1 OF 1	

4

3

2

1

SPECIFICATIONS:

1.) MATERIALS:  
 INSERTS: VALOX, TYPE GPT-30F, PER MIL-M-24519.  
 SHELLS: COLD ROLLED STEEL, PER ASTM A568 AND ASTM A620.

2.) FINISHES AND COLOR:  
 INSERT: BLACK.  
 SHELLS: RoHS COMPLIANT, HIGH RESISTANCE CLEAR CHROMATE OVER ZINC, PER ASTM B633, CLASS FE/ZN12 (.000500 MIN.), SERVICE CONDITION SC3, TYPE III.

3.) ELECTRICAL PROPERTIES:  
 DIELECTRIC STRENGTH:  
 500 TO 1,000 VOLTS RMS AT SEA LEVEL;  
 200 TO 325 VOLTS RMS AT 70,000 FEET.  
 INSULATION RESISTANCE: 1 MEGOHM MINIMUM.

4.) MECHANICAL PROPERTIES:  
 OPERATING TEMPERATURE: -67° F TO +257° F ( -55° C TO +125° C ).  
 SHOCK RESISTANCE: NO INTERRUPTION OF ELECTRICAL CONTINUITY LONGER THAN 1 MICROSECOND.  
 VIBRATION RESISTANCE: NO INTERRUPTION OF ELECTRICAL CONTINUITY LONGER THAN 1 MICROSECOND.

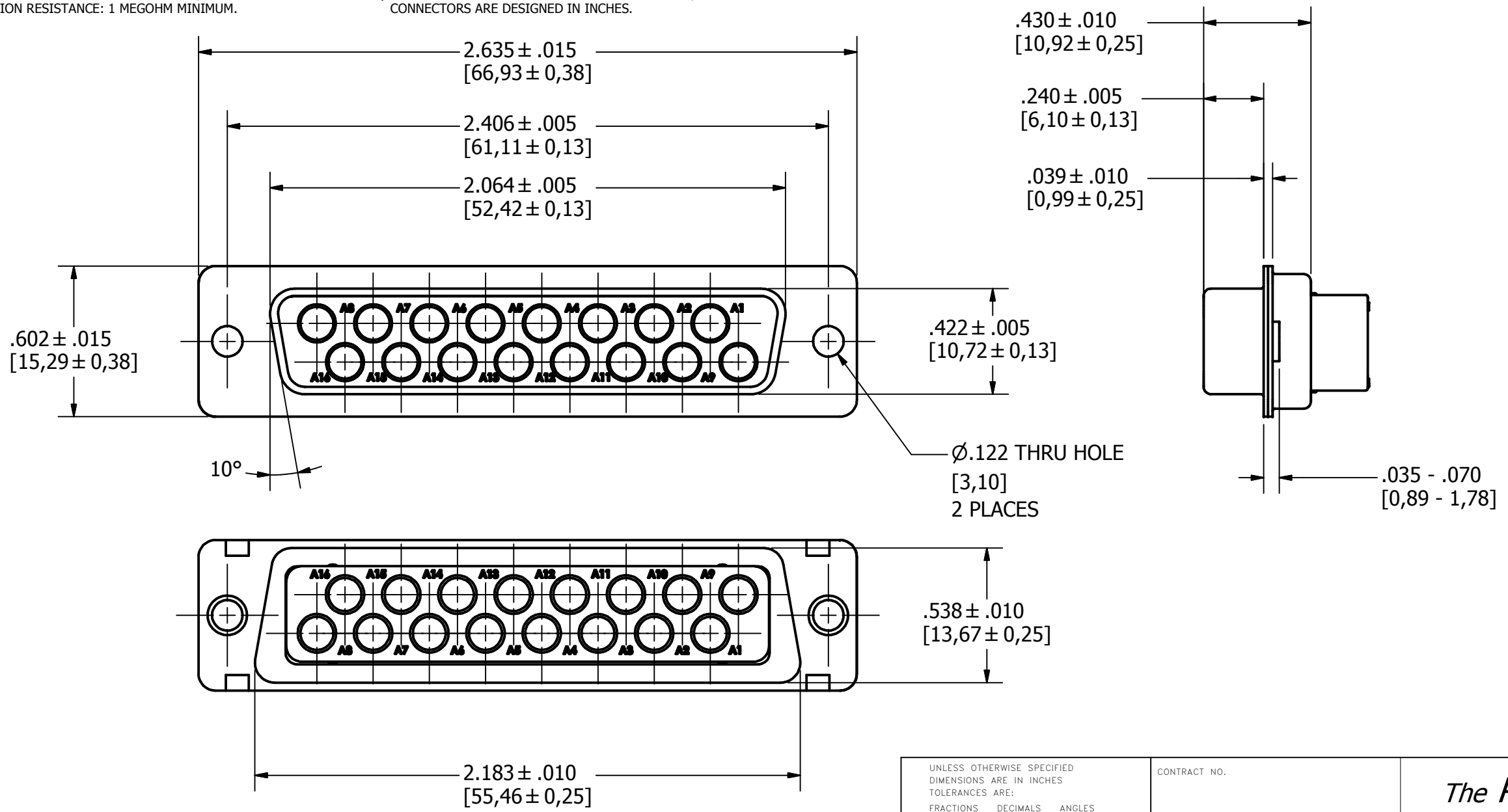
5.) DIMENSIONS ARE FOR REFERENCE ONLY, UNLESS OTHERWISE SPECIFIED.

6.) CONNECTOR MEETS REQUIREMENTS OF MIL-C-24308, LATEST REVISION.

7.) ABOVE REQUIREMENTS DO NOT INCLUDE PDM AND PKZ CONTACTS, PLEASE SEE INDIVIDUAL SPECIFICATION SHEETS.

8.) METRIC DIMENSIONS ARE SHOWN FOR REFERENCE, CONNECTORS ARE DESIGNED IN INCHES.

REV	DESCRIPTION	DATE	APPROVAL
A	ECN#11740 RELEASED FOR PRODUCTION	7/26/2013	



NEXT ASSEMBLY	USED ON
APPLICATIONS	

UNLESS OTHERWISE SPECIFIED DIMENSIONS ARE IN INCHES TOLERANCES ARE: FRACTIONS DECIMALS ANGLES ± 1/64 .XX ± .01 ± 1/2° .XXX ± .003		CONTRACT NO.
THE INFORMATION DISCLOSED IN THIS DOCUMENT IS CONFIDENTIAL AND PROPRIETARY TO PHOENIX CO. INC. AND MAY NOT BE USED FOR MANUFACTURE OR ANY OTHER PURPOSE WITHOUT THE WRITTEN CONSENT OF MIL-CON INC.		APPROVALS R.M. Bradley
DO NOT SCALE DRAWING		DATE 4/19/2013

<i>The PHOENIX Company of Chicago™</i>			
<b>HD, D-SUB CONNECTOR, SIZE 12 PTRR16W165, RECEPTACLE, CLRCROM / ZINC</b>			
SIZE B	FSCM NO. 60563	DWG. NO. PTRR16W165	REV. A
SCALE 2 X 1		SHEET 1 OF 1	

4

3

2

1