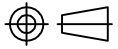


NOTES:

1. DESIGN AND INTERFACE PER IDS-56A.
2. ACCOMMODATES RG-316 OR EQUIVALENT CABLES.
3. FOR USE IN BENDIX LRM OR SIZE 12 D-SUB HOUSINGS.
4. CRIMP USING .128 HEX DIE (M22520/5-03).
5. BULLET & FERRULE SHIPPED LOOSE.

				<b>PALCO CONNECTOR</b> 22 GREAT HILL RD., NAUGATUCK, CT 06770 UNLESS OTHERWISE SPECIFIED, PALCO WORKMANSHIP STANDARDS APPLY TOLERANCES ON: DECIMALS: XX ± .01 .XXX ± .005 ANGLES ± 1/2° 32' DIMENSIONS IN INCHES OR (METRIC) DO NOT SCALE PRINTS	DRAWN JEM	CHECKED JEM	ENGINEER JEM	APPROVED JEM	FSCM 58167
B	PER ECN 11728	07/19/13	JEM		 DESCRIPTION SIZE 12 PkZ PLUG, CRIMP TYPE				
A	PER ECN 11636	04/03/13	JEM						
01	PROTOTYPE	10/04/12	JEM		DATE 10/23/12	DRAWING NO. 56-0902-0670	PLATING OPT. A, B, C, D		
REV.	DESCRIPTION	DATE	APPR.	CATALOG ITEM					

CABLE ASSEMBLY PROCEDURE

P/N 56-0902-0670

PAGE 1 OF 1 DATE: 04/19/13

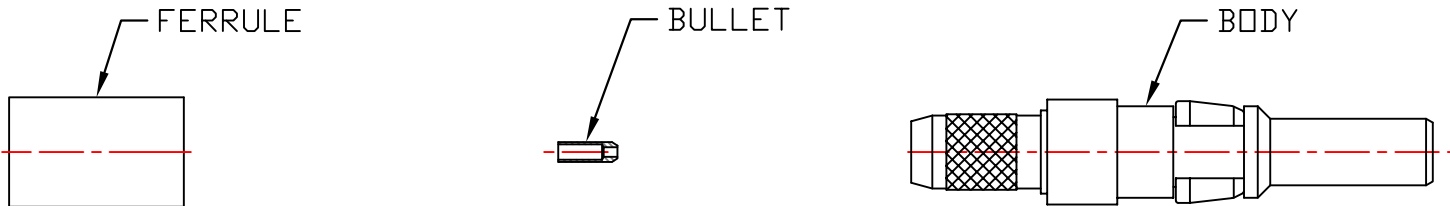
DRAWN: JEM APPROVED: HN

FOR USE WITH RG-178 CABLE

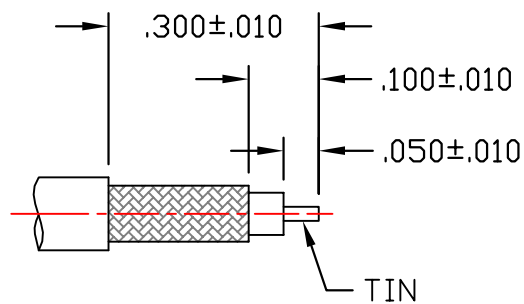
# PALEO CONNECTOR

22 GREAT HILL ROAD, NAUGATUCK, CT. 06770  
 PHONE: (203) 729-9090 FAX: (203) 723-1794

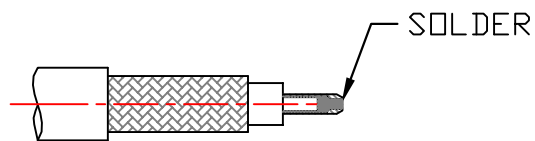
REV	DESCRIPTION	DATE	APPR
A	PER ECN 11636	04/19/13	JEM
B	PER ECN 11728	07/19/13	JEM



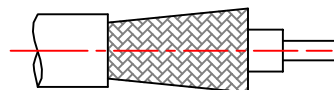
STEP 1  
 TRIM CABLE TO DIMENSIONS SHOWN.  
 TIN CENTER CONDUCTOR.



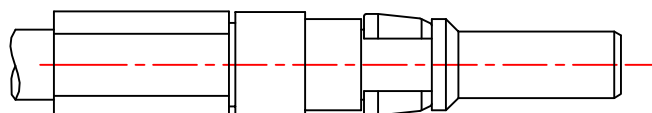
STEP 2  
 SOLDER BULLET ONTO CABLE  
 AS SHOWN.



STEP 3  
 SLIDE FERRULE OVER CABLE. FLARE  
 CABLE BY ROTATING DIELECTRIC.



STEP 4  
 INSERT CABLE INTO BODY UNTIL CABLE  
 BOTTOMS. SLIDE FERRULE UP AGAINST  
 BODY. CRIMP FERRULE USING .128 HEX  
 DIE (M22520/5-03).



4

3

2

1

SPECIFICATIONS:

1.) MATERIALS:  
 INSERTS: VALOX, TYPE GPT-30F, PER MIL-M-24519.  
 SHELLS: COLD ROLLED STEEL, PER ASTM A568 AND ASTM A620.

2.) FINISHES AND COLOR:  
 INSERT: BLACK.  
 SHELLS: RoHS COMPLIANT, HIGH RESISTANCE CLEAR CHROMATE OVER ZINC, PER ASTM B633, CLASS FE/ZN12 (.000500 MIN.), SERVICE CONDITION SC3, TYPE III.

3.) ELECTRICAL PROPERTIES:  
 DIELECTRIC STRENGTH:  
 500 TO 1,000 VOLTS RMS AT SEA LEVEL;  
 200 TO 325 VOLTS RMS AT 70,000 FEET.  
 INSULATION RESISTANCE: 1 MEGOHM MINIMUM.

4.) MECHANICAL PROPERTIES:  
 OPERATING TEMPERATURE: -67° F TO +257° F ( -55° C TO +125° C ).  
 SHOCK RESISTANCE: NO INTERRUPTION OF ELECTRICAL CONTINUITY LONGER THAN 1 MICROSECOND.  
 VIBRATION RESISTANCE: NO INTERRUPTION OF ELECTRICAL CONTINUITY LONGER THAN 1 MICROSECOND.

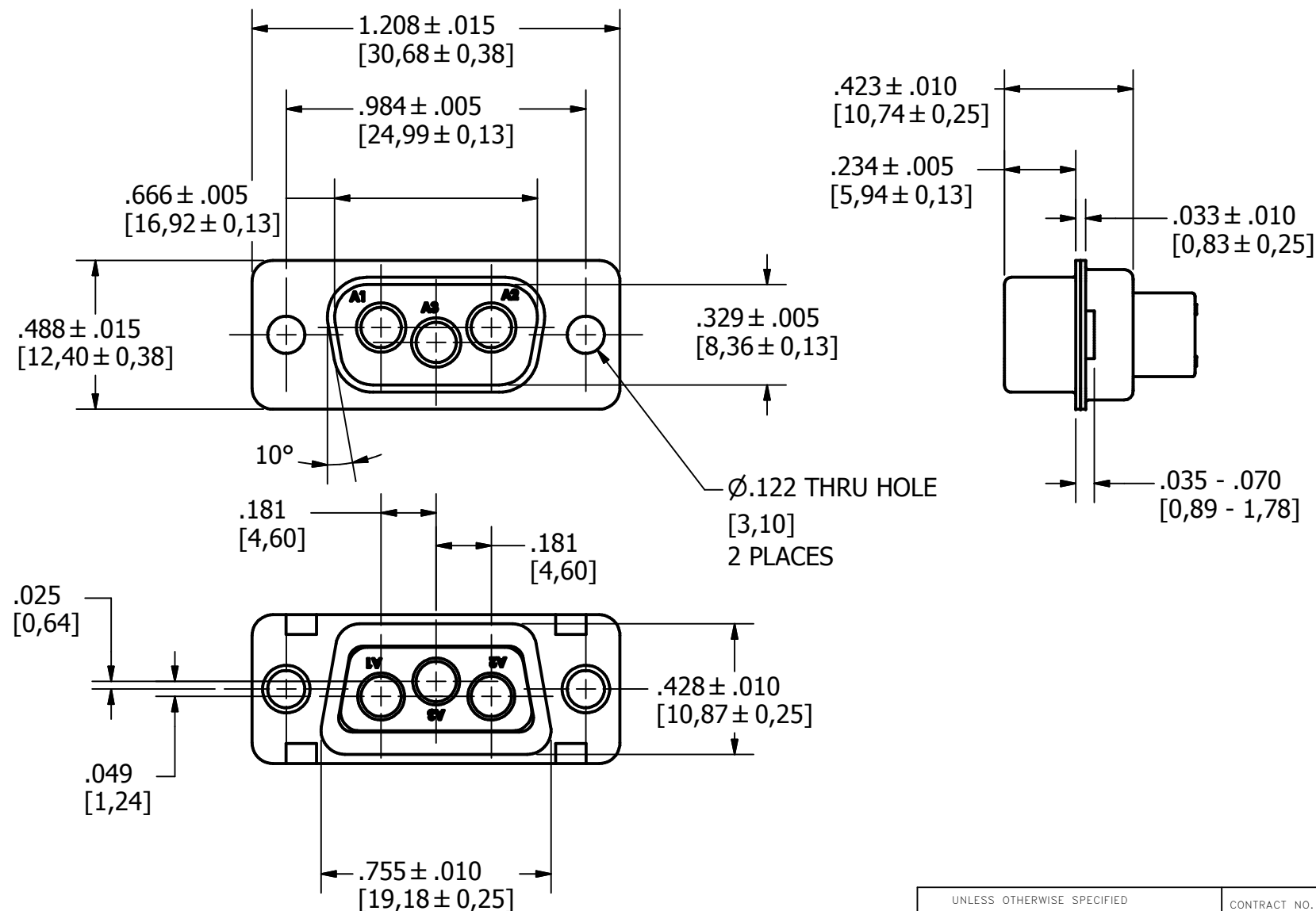
5.) DIMENSIONS ARE FOR REFERENCE ONLY, UNLESS OTHERWISE SPECIFIED.

6.) CONNECTOR MEETS REQUIREMENTS OF MIL-C-24308, LATEST REVISION.

7.) ABOVE REQUIREMENTS DO NOT INCLUDE PDM AND PKZ CONTACTS, PLEASE SEE INDIVIDUAL SPECIFICATION SHEETS.

8.) METRIC DIMENSIONS ARE SHOWN FOR REFERENCE, CONNECTORS ARE DESIGNED IN INCHES.

REV	DESCRIPTION	DATE	APPROVAL
A	ECN#11740 RELEASED FOR PRODUCTION	7/26/2013	



UNLESS OTHERWISE SPECIFIED  
 DIMENSIONS ARE IN INCHES  
 TOLERANCES ARE:  
 FRACTIONS DECIMALS ANGLES  
 $\pm 1/64$  .XX ± .01  $\pm 1/2^\circ$   
 .XXX ± .003

THE INFORMATION DISCLOSED IN  
 THIS DOCUMENT IS CONFIDENTIAL  
 AND PROPRIETARY TO PHOENIX CO.  
 INC. AND MAY NOT BE USED FOR  
 MANUFACTURE OR ANY OTHER  
 PURPOSE WITHOUT THE WRITTEN  
 CONSENT OF MIL-CON INC.

NEXT ASSEMBLY	USED ON

CONTRACT NO.		<i>The PHOENIX Company of Chicago™</i> <b>HD, D-SUB CONNECTOR, SIZE 12          PTRP3W35, PLUG, CLRCROM / ZINC</b>	
APPROVALS	DATE		
DRAWN <b>R.M. Bradley</b>	4/25/2013	SIZE <b>B</b>	FSCM NO. <b>60563</b>
CHECKED		DWG. NO. <b>PTRP3W35</b>	REV. <b>A</b>
ISSUED		SCALE <b>2 X1</b>	SHEET <b>1</b> OF <b>1</b>

4

3

2

1

4

3

2

1

SPECIFICATIONS:

1.) MATERIALS:  
 INSERTS: VALOX, TYPE GPT-30F, PER MIL-M-24519.  
 SHELLS: COLD ROLLED STEEL, PER ASTM A568 AND ASTM A620.

2.) FINISHES AND COLOR:  
 INSERT: BLACK.  
 SHELLS: RoHS COMPLIANT, HIGH RESISTANCE CLEAR CHROMATE OVER ZINC, PER ASTM B633, CLASS FE/ZN12 (.000500 MIN.), SERVICE CONDITION SC3, TYPE III.

3.) ELECTRICAL PROPERTIES:  
 DIELECTRIC STRENGTH:  
 500 TO 1,000 VOLTS RMS AT SEA LEVEL;  
 200 TO 325 VOLTS RMS AT 70,000 FEET.  
 INSULATION RESISTANCE: 1 MEGOHM MINIMUM.

4.) MECHANICAL PROPERTIES:  
 OPERATING TEMPERATURE: -67° F TO +257° F ( -55° C TO +125° C ).  
 SHOCK RESISTANCE: NO INTERRUPTION OF ELECTRICAL CONTINUITY LONGER THAN 1 MICROSECOND.  
 VIBRATION RESISTANCE: NO INTERRUPTION OF ELECTRICAL CONTINUITY LONGER THAN 1 MICROSECOND.

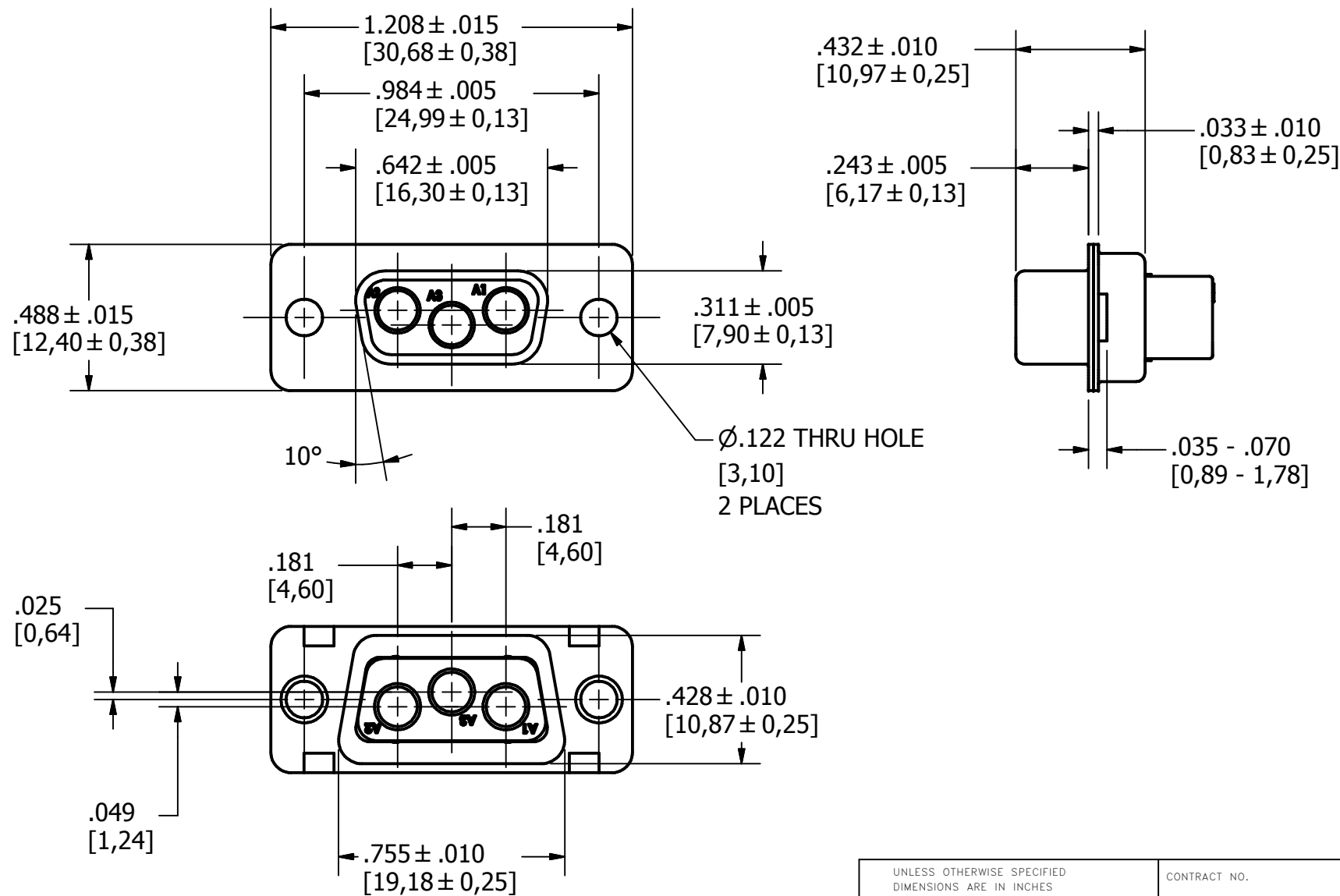
5.) DIMENSIONS ARE FOR REFERENCE ONLY, UNLESS OTHERWISE SPECIFIED.

6.) CONNECTOR MEETS REQUIREMENTS OF MIL-C-24308, LATEST REVISION.

7.) ABOVE REQUIREMENTS DO NOT INCLUDE PDM AND PKZ CONTACTS, PLEASE SEE INDIVIDUAL SPECIFICATION SHEETS.

8.) METRIC DIMENSIONS ARE SHOWN FOR REFERENCE, CONNECTORS ARE DESIGNED IN INCHES.

REV	DESCRIPTION	DATE	APPROVAL
A	ECN#11740 RELEASED FOR PRODUCTION	7/26/2013	



APPROVALS	DATE
DRAWN R.M.Bradley	4/25/2013
CHECKED	
ISSUED	

CONTRACT NO.

UNLESS OTHERWISE SPECIFIED DIMENSIONS ARE IN INCHES TOLERANCES ARE:
FRACTIONS DECIMALS ANGLES
± 1/64 .XX ± .01 ± 1/2°
.XXX ± .003

THE INFORMATION DISCLOSED IN THIS DOCUMENT IS CONFIDENTIAL AND PROPRIETARY TO PHOENIX CO. INC. AND MAY NOT BE USED FOR MANUFACTURE OR ANY OTHER PURPOSE WITHOUT THE WRITTEN CONSENT OF MIL-CON INC.

NEXT ASSEMBLY	USED ON

APPLICATIONS
DO NOT SCALE DRAWING

The PHOENIX Company of Chicago™

**HD, D-SUB CONNECTOR, SIZE 12  
 PTRR3W35, RECEPTACLE, CLRCROM / ZINC**

SIZE	FSCM NO.	DWG. NO.	REV.
B	60563	PTRR3W35	A

4

3

2

1

SPECIFICATIONS:

1.) MATERIALS:  
 INSERTS: VALOX, TYPE GPT-30F, PER MIL-M-24519.  
 SHELLS: COLD ROLLED STEEL, PER ASTM A568 AND ASTM A620.

2.) FINISHES AND COLOR:  
 INSERT: BLACK.  
 SHELLS: RoHS COMPLIANT, HIGH RESISTANCE CLEAR CHROMATE OVER ZINC, PER ASTM B633, CLASS FE/ZN12 (.000500 MIN.), SERVICE CONDITION SC3, TYPE III.

3.) ELECTRICAL PROPERTIES:  
 DIELECTRIC STRENGTH:  
 500 TO 1,000 VOLTS RMS AT SEA LEVEL;  
 200 TO 325 VOLTS RMS AT 70,000 FEET.  
 INSULATION RESISTANCE: 1 MEGOHM MINIMUM.

4.) MECHANICAL PROPERTIES:  
 OPERATING TEMPERATURE: -67° F TO +257° F (-55° C TO +125° C).  
 SHOCK RESISTANCE: NO INTERRUPTION OF ELECTRICAL CONTINUITY LONGER THAN 1 MICROSECOND.  
 VIBRATION RESISTANCE: NO INTERRUPTION OF ELECTRICAL CONTINUITY LONGER THAN 1 MICROSECOND.

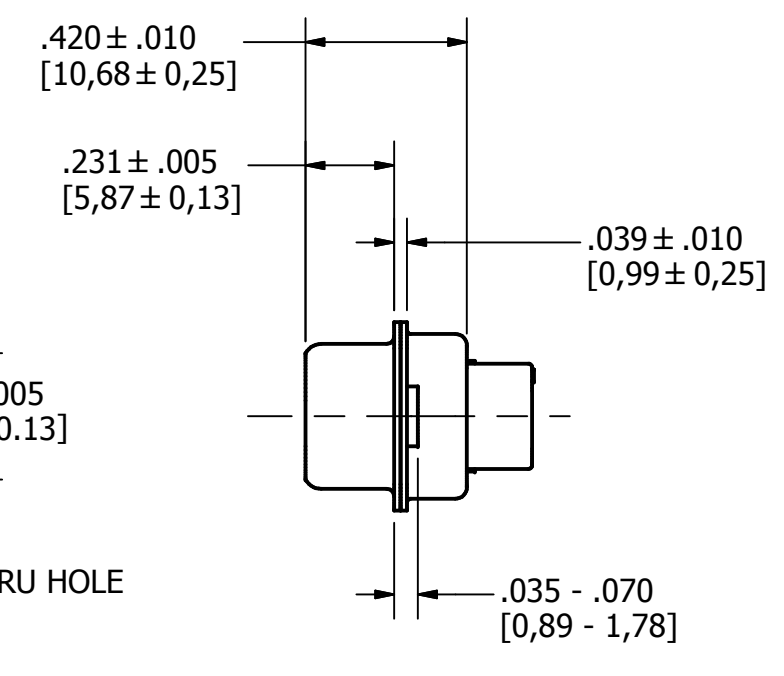
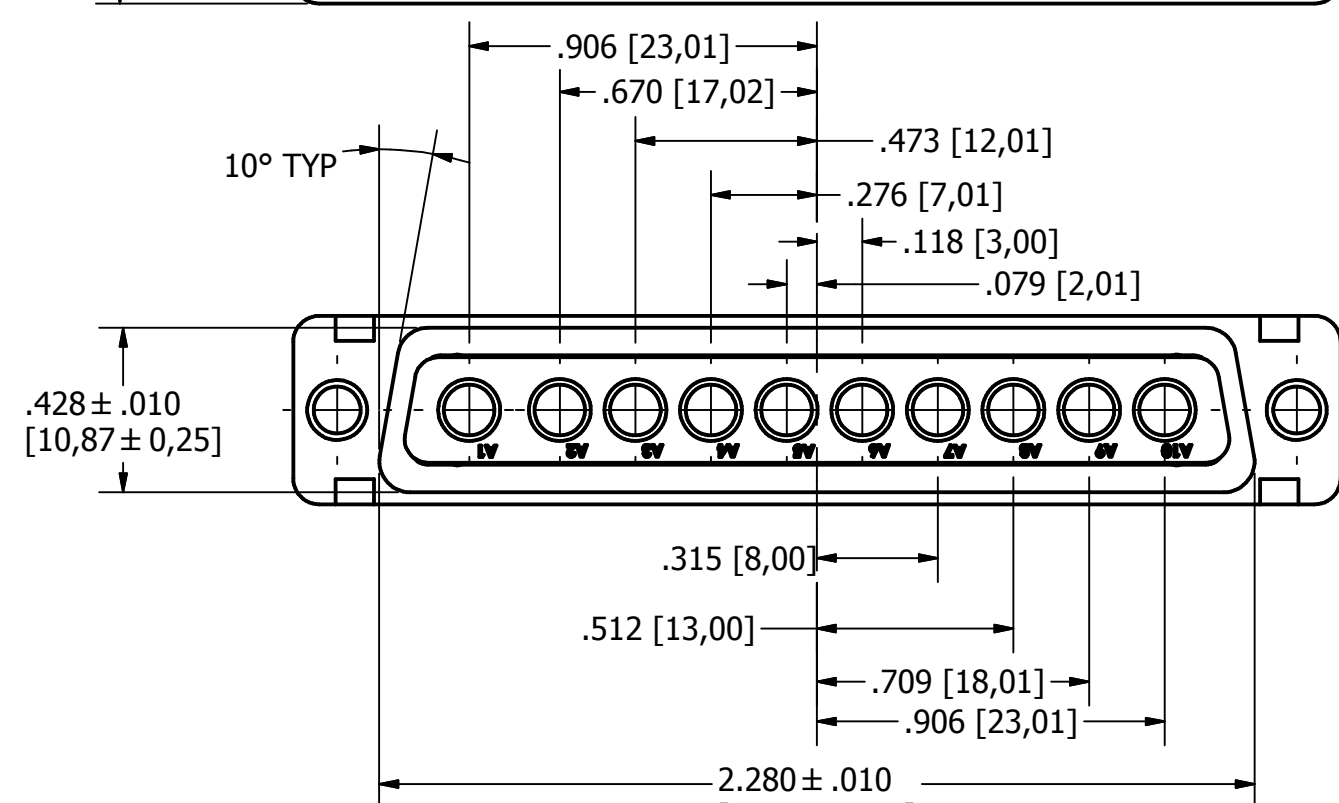
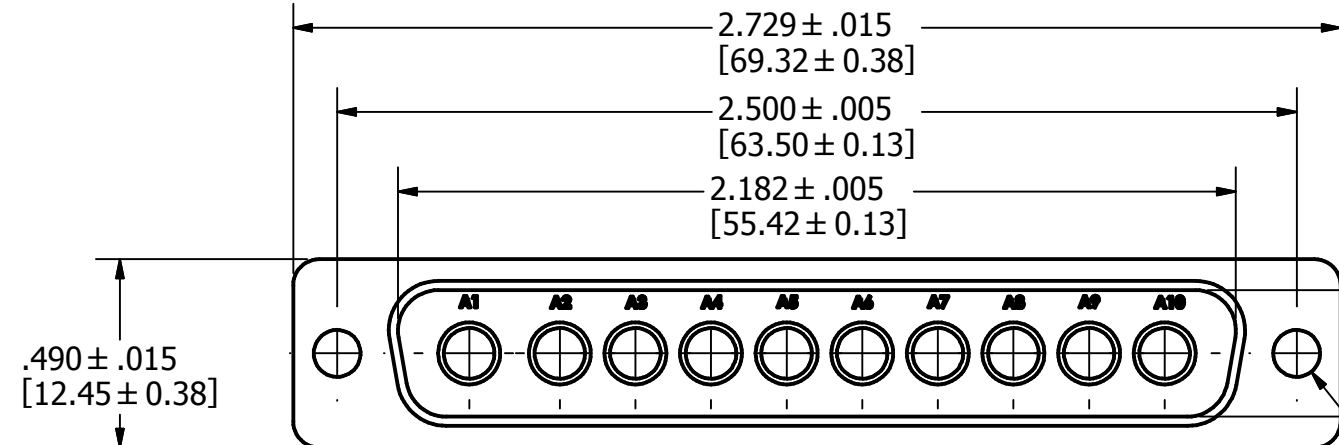
5.) DIMENSIONS ARE FOR REFERENCE ONLY, UNLESS OTHERWISE SPECIFIED.

6.) CONNECTOR MEETS REQUIREMENTS OF MIL-C-24308, LATEST REVISION.

7.) ABOVE REQUIREMENTS DO NOT INCLUDE PDM AND PKZ CONTACTS, PLEASE SEE INDIVIDUAL SPECIFICATION SHEETS.

8.) METRIC DIMENSIONS ARE SHOWN FOR REFERENCE, CONNECTORS ARE DESIGNED IN INCHES.

REV	DESCRIPTION	DATE	APPROVAL
A	ECN#11740 RELEASED FOR PRODUCTION	7/26/2013	



UNLESS OTHERWISE SPECIFIED DIMENSIONS ARE IN INCHES TOLERANCES ARE: FRACTIONS DECIMALS ANGLES $\pm 1/64$ .XX ± .01 $\pm 1/2'$ .XXX ± .003		CONTRACT NO.		The PHOENIX Company of Chicago™	
THE INFORMATION DISCLOSED IN THIS DOCUMENT IS CONFIDENTIAL AND PROPRIETARY TO PHOENIX CO. INC. AND MAY NOT BE USED FOR MANUFACTURE OR ANY OTHER PURPOSE WITHOUT THE WRITTEN CONSENT OF MIL-CON INC.		APPROVALS	DATE		
NEXT ASSEMBLY	USED ON	DRAWN R.M.Bradley	4/16/2013	HD, D-SUB CONNECTOR, SIZE 12 PTRP10W105, PLUG, CLRCROM / ZINC	
APPLICATIONS		ISSUED		SIZE B	FSCM NO. 60563
DO NOT SCALE DRAWING				DWG. NO. PTRP10W105	REV. A
			SCALE 2 X 1	SHEET 1 OF 1	



SPECIFICATIONS:  
 1.) MATERIALS:  
 INSERTS: VALOX, TYPE GPT-30F, PER MIL-M-24519.  
 SHELLS: COLD ROLLED STEEL, PER ASTM A568 AND ASTM A620.

2.) FINISHES AND COLOR:  
 INSERT: BLACK.  
 SHELLS: RoHS COMPLIANT, HIGH RESISTANCE CLEAR CHROMATE OVER ZINC, PER ASTM B633, CLASS FE/ZN12 (.000500 MIN.), SERVICE CONDITION SC3, TYPE III.

3.) ELECTRICAL PROPERTIES:  
 DIELECTRIC STRENGTH:  
 500 TO 1,000 VOLTS RMS AT SEA LEVEL;  
 200 TO 325 VOLTS RMS AT 70,000 FEET.  
 INSULATION RESISTANCE: 1 MEGOHM MINIMUM.

4.) MECHANICAL PROPERTIES:  
 OPERATING TEMPERATURE: -67° F TO +257° F ( -55° C TO +125° C ).  
 SHOCK RESISTANCE: NO INTERRUPTION OF ELECTRICAL CONTINUITY LONGER THAN 1 MICROSECOND.  
 VIBRATION RESISTANCE: NO INTERRUPTION OF ELECTRICAL CONTINUITY LONGER THAN 1 MICROSECOND.

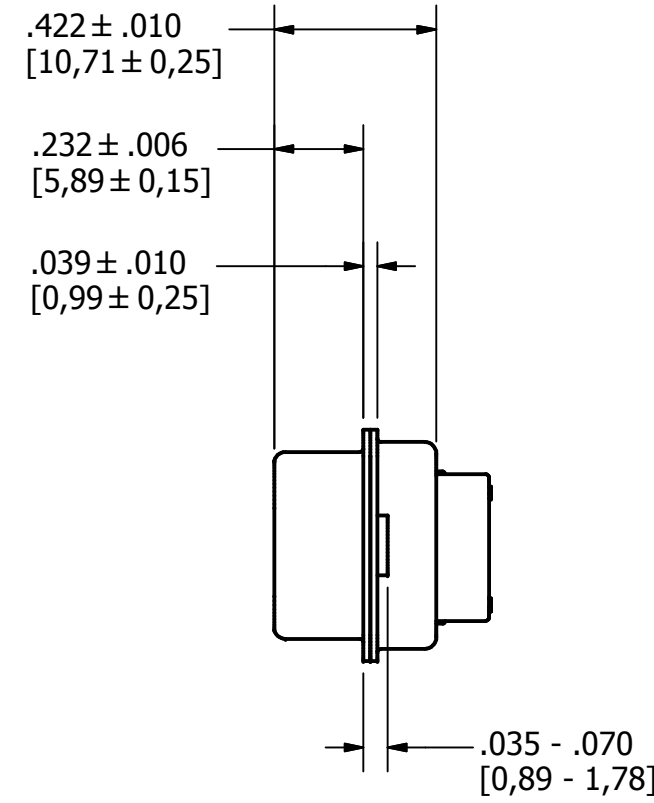
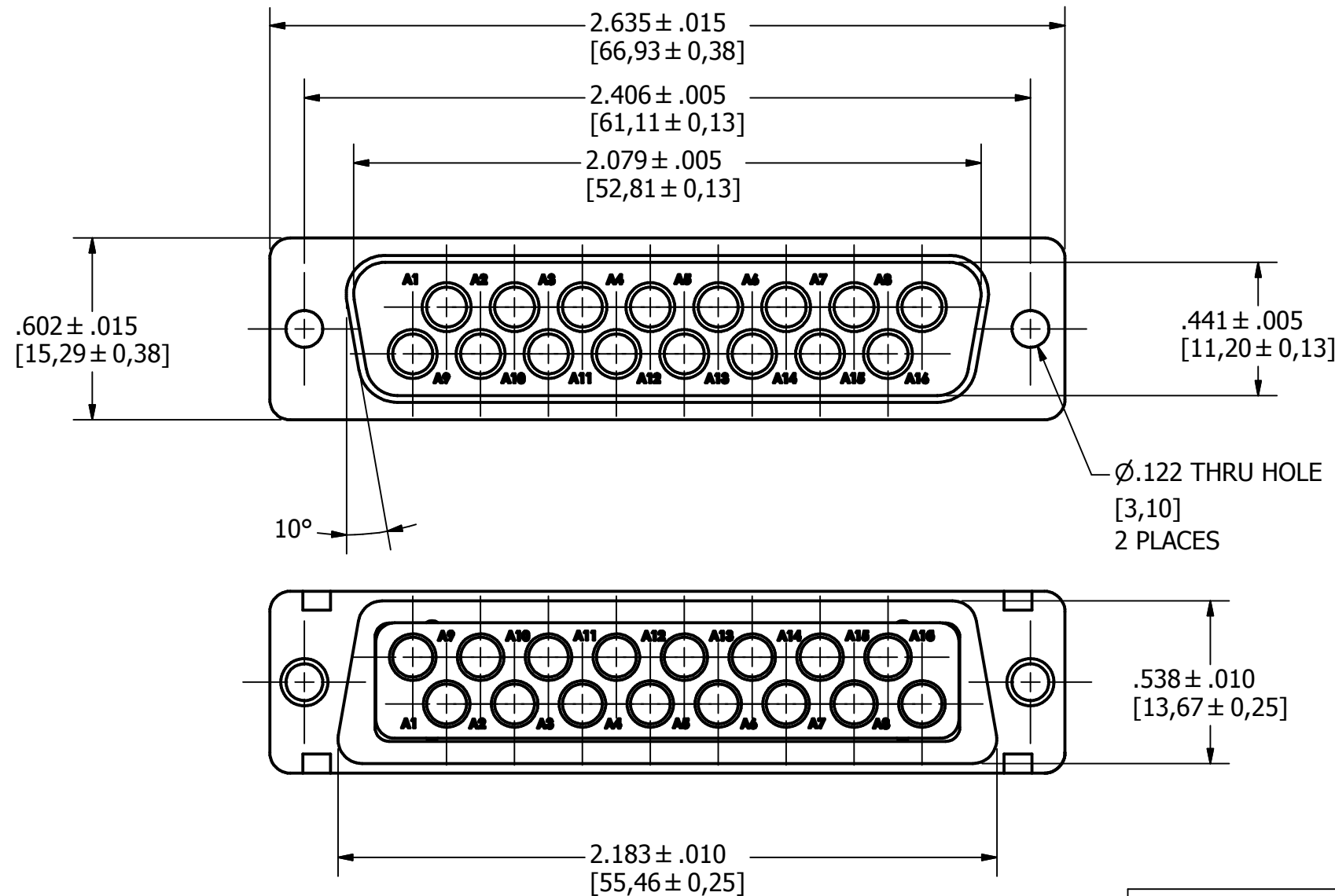
5.) DIMENSIONS ARE FOR REFERENCE ONLY, UNLESS OTHERWISE SPECIFIED.

6.) CONNECTOR MEETS REQUIREMENTS OF MIL-C-24308, LATEST REVISION.

7.) ABOVE REQUIREMENTS DO NOT INCLUDE PDM AND PKZ CONTACTS, PLEASE SEE INDIVIDUAL SPECIFICATION SHEETS.

8.) METRIC DIMENSIONS ARE SHOWN FOR REFERENCE, CONNECTORS ARE DESIGNED IN INCHES.

REV	DESCRIPTION	DATE	APPROVAL
A	ECN#11740 RELEASED FOR PRODUCTION	7/26/2013	



UNLESS OTHERWISE SPECIFIED DIMENSIONS ARE IN INCHES TOLERANCES ARE: FRACTIONS DECIMALS ANGLES ± 1/64 .XX ± .01 ± 1/2° .XXX ± .003		CONTRACT NO.		The <i>PHOENIX</i> Company of Chicago™	
THE INFORMATION DISCLOSED IN THIS DOCUMENT IS CONFIDENTIAL AND PROPRIETARY TO PHOENIX CO. INC. AND MAY NOT BE USED FOR MANUFACTURE OR ANY OTHER PURPOSE WITHOUT THE WRITTEN CONSENT OF MIL-CON INC.		APPROVALS	DATE		
NEXT ASSEMBLY	USED ON	DRAWN R.M.Bradley	4/19/2013	<b>HD, D-SUB CONNECTOR, SIZE 12</b> <b>PTRP16W165, PLUG, CLRCROM / ZINC</b>	
APPLICATIONS		CHECKED	ISSUED		
DO NOT SCALE DRAWING		SCALE 2 X 1		SHEET 1 OF 1	

4

3

2

1

SPECIFICATIONS:

1.) MATERIALS:  
 INSERTS: VALOX, TYPE GPT-30F, PER MIL-M-24519.  
 SHELLS: COLD ROLLED STEEL, PER ASTM A568 AND ASTM A620.

2.) FINISHES AND COLOR:  
 INSERT: BLACK.  
 SHELLS: RoHS COMPLIANT, HIGH RESISTANCE CLEAR CHROMATE OVER ZINC, PER ASTM B633, CLASS FE/ZN12 (.000500 MIN.), SERVICE CONDITION SC3, TYPE III.

3.) ELECTRICAL PROPERTIES:  
 DIELECTRIC STRENGTH:  
 500 TO 1,000 VOLTS RMS AT SEA LEVEL;  
 200 TO 325 VOLTS RMS AT 70,000 FEET.  
 INSULATION RESISTANCE: 1 MEGOHM MINIMUM.

4.) MECHANICAL PROPERTIES:  
 OPERATING TEMPERATURE: -67° F TO +257° F ( -55° C TO +125° C ).  
 SHOCK RESISTANCE: NO INTERRUPTION OF ELECTRICAL CONTINUITY LONGER THAN 1 MICROSECOND.  
 VIBRATION RESISTANCE: NO INTERRUPTION OF ELECTRICAL CONTINUITY LONGER THAN 1 MICROSECOND.

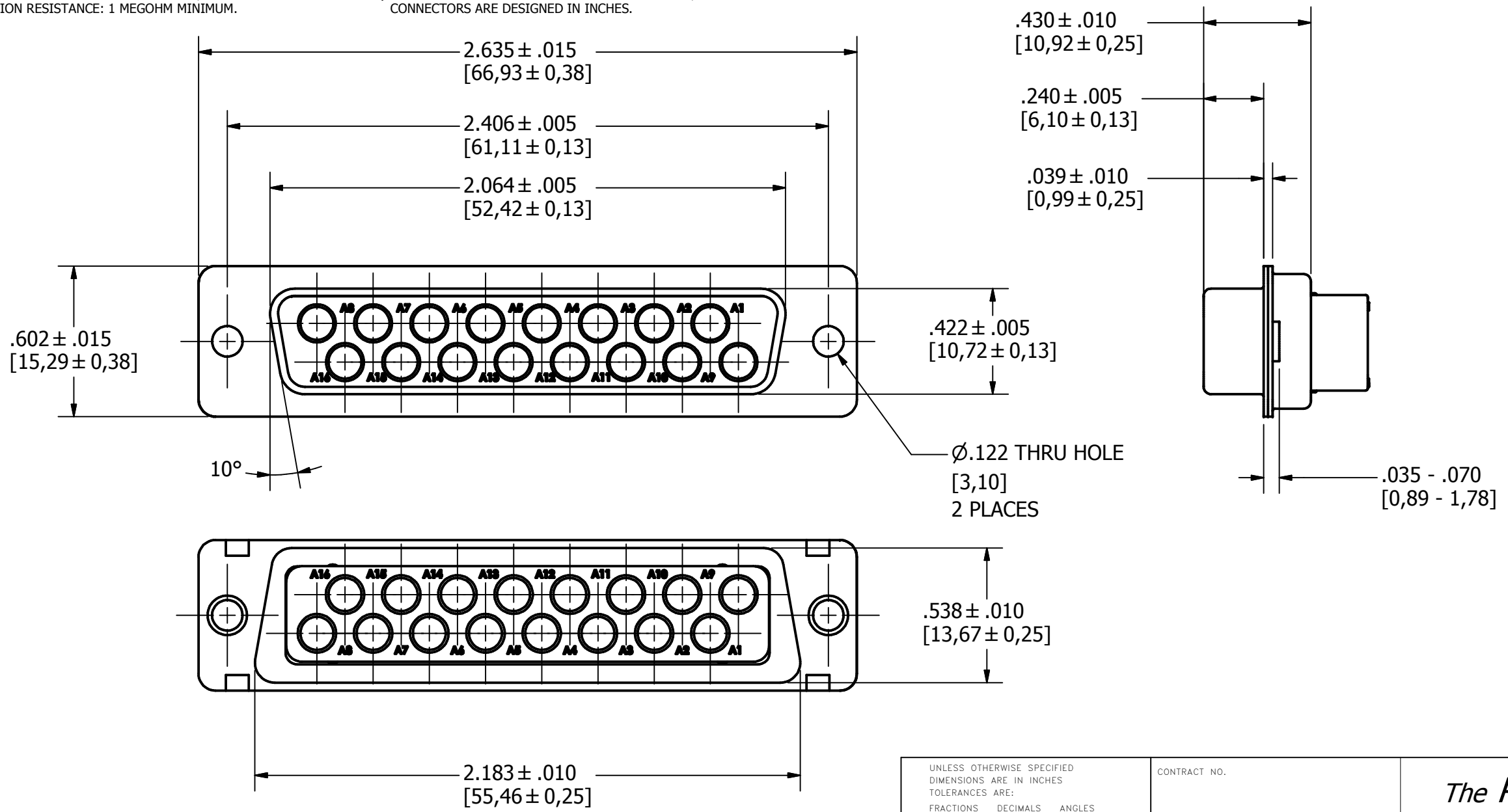
5.) DIMENSIONS ARE FOR REFERENCE ONLY, UNLESS OTHERWISE SPECIFIED.

6.) CONNECTOR MEETS REQUIREMENTS OF MIL-C-24308, LATEST REVISION.

7.) ABOVE REQUIREMENTS DO NOT INCLUDE PDM AND PKZ CONTACTS, PLEASE SEE INDIVIDUAL SPECIFICATION SHEETS.

8.) METRIC DIMENSIONS ARE SHOWN FOR REFERENCE, CONNECTORS ARE DESIGNED IN INCHES.

REV	DESCRIPTION	DATE	APPROVAL
A	ECN#11740 RELEASED FOR PRODUCTION	7/26/2013	



APPROVALS	DATE
R.M. Bradley	4/19/2013
CHECKED	
ISSUED	

UNLESS OTHERWISE SPECIFIED DIMENSIONS ARE IN INCHES TOLERANCES ARE: FRACTIONS DECIMALS ANGLES ± 1/64 .XX ± .01 ± 1/2° .XXX ± .003	CONTRACT NO.
THE INFORMATION DISCLOSED IN THIS DOCUMENT IS CONFIDENTIAL AND PROPRIETARY TO PHOENIX CO. INC. AND MAY NOT BE USED FOR MANUFACTURE OR ANY OTHER PURPOSE WITHOUT THE WRITTEN CONSENT OF MIL-CON INC.	APPROVALS
DO NOT SCALE DRAWING	DATE

<i>The PHOENIX Company of Chicago™</i>			
<b>HD, D-SUB CONNECTOR, SIZE 12 PTRR16W165, RECEPTACLE, CLRCROM / ZINC</b>			
SIZE	FSCM NO.	DWG. NO.	REV.
B	60563	PTRR16W165	A
SCALE 2 X 1		SHEET 1 OF 1	

4

3

2

1