

NOTES:

1. DESIGN AND INTERFACE PER IDS-56A.
2. ACCOMMODATES M17/151 (S/R .047) OR EQUIVALENT CABLES.
3. FOR USE IN BENDIX LRM OR SIZE 12 D-SUB HOUSINGS.
4. CONTACT SHIPPED LOOSE.

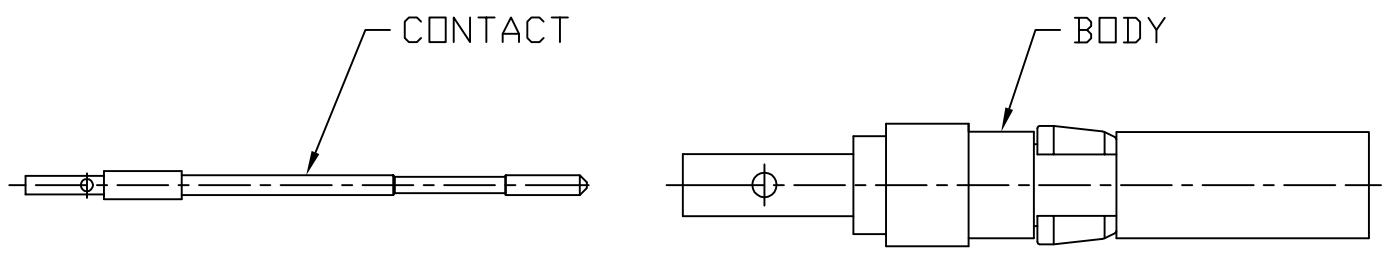
				PALCO CONNECTOR 22 GREAT HILL RD., NAUGATUCK, CT 06770 UNLESS OTHERWISE SPECIFIED, PALCO WORKMANSHIP STANDARDS APPLY TOLERANCES ON: DECIMALS: XX ± .01 .XXX ± .005 ANGLES ±1/2° 32' DIMENSIONS IN INCHES OR (METRIC) DO NOT SCALE PRINTS	DRAWN JEM	CHECKED JEM	ENGINEER JEM	APPROVED JEM	FSCM 58167
C	PER ECN 11733	07/22/13	JEM			DESCRIPTION SIZE 12 PKZ RECEPTACLE, DIRECT SOLDER			
B	PER ECN 11649	04/22/13	JEM			DATE 10/24/12	DRAWING NO. 56-1202-0470	PLATING OPT. A, B, C, D	
A	PER ECN 11586	02/18/13	JEM		CATALOG ITEM				
01	PROTOTYPE	10/24/12	JEM						
REV.	DESCRIPTION	DATE	APPR.						

CABLE ASSEMBLY PROCEDURE	
P/N 56-1202-0470	
PAGE 1 OF 1	DATE: 02/18/13
DRAWN: JEM	APPROVED: JEM
FOR USE WITH M17/151 CABLE	

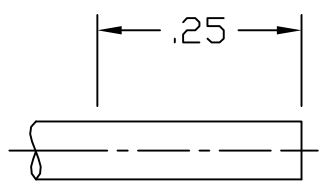
PALEO
CONNECTOR

22 GREAT HILL ROAD, NAUGATUCK, CT. 06770
PHONE: (203) 729-9090 FAX: (203) 723-1794

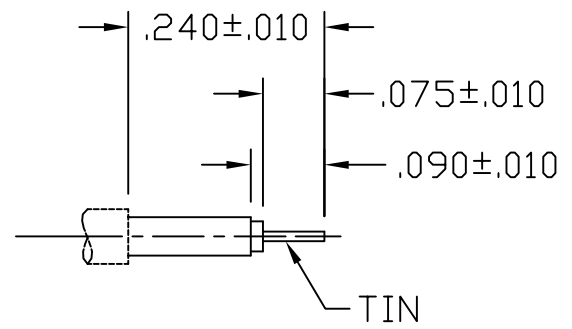
REV	DESCRIPTION	DATE	APPR
A	PER ECN 11586	02/18/13	JEM
B	PER ECN 11649	04/22/13	JEM
C	PER ECN 11733	07/22/13	JEM



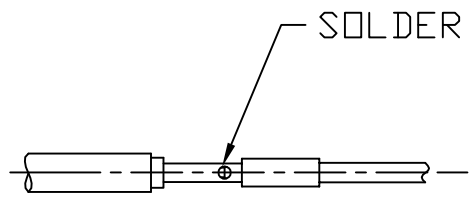
STEP 1
(FOR T-FLEX STYLE CABLES ONLY)
DIP END OF CABLE INTO FLUX AND THEN TIP DIP CABLE TO DIMENSIONS SHOWN USING KESTER 63/37 SOLDER @ 500°F FOR SIX SECONDS MAX.



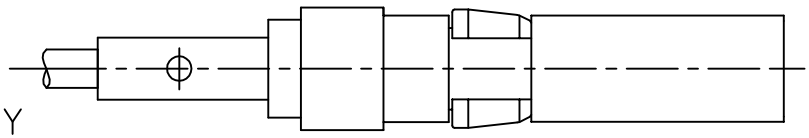
STEP 2
TRIM CABLE TO DIMENSIONS SHOWN. TIN CENTER CONDUCTOR. (.240±.010 DIMENSION FOR JACKETED CABLES ONLY)



STEP 3
SLIDE CONTACT ONTO CENTER CONDUCTOR AS SHOWN. SOLDER BULLET TO CENTER CONDUCTOR. CLEAN SOLDER JOINT.



STEP 4
INSERT ABOVE CABLE INTO CONNECTOR BODY UNTIL CABLE BOTTOMS. SOLDER BODY TO CABLE. CLEAN SOLDER JOINT.



4

3

2

1

SPECIFICATIONS:

1.) MATERIALS:
 INSERTS: VALOX, TYPE GPT-30F, PER MIL-M-24519.
 SHELLS: COLD ROLLED STEEL, PER ASTM A568 AND ASTM A620.

2.) FINISHES AND COLOR:
 INSERT: BLACK.
 SHELLS: RoHS COMPLIANT, HIGH RESISTANCE CLEAR CHROMATE OVER ZINC, PER ASTM B633, CLASS FE/ZN12 (.000500 MIN.), SERVICE CONDITION SC3, TYPE III.

3.) ELECTRICAL PROPERTIES:
 DIELECTRIC STRENGTH:
 500 TO 1,000 VOLTS RMS AT SEA LEVEL;
 200 TO 325 VOLTS RMS AT 70,000 FEET.
 INSULATION RESISTANCE: 1 MEGOHM MINIMUM.

4.) MECHANICAL PROPERTIES:
 OPERATING TEMPERATURE: -67° F TO +257° F (-55° C TO +125° C).
 SHOCK RESISTANCE: NO INTERRUPTION OF ELECTRICAL CONTINUITY LONGER THAN 1 MICROSECOND.
 VIBRATION RESISTANCE: NO INTERRUPTION OF ELECTRICAL CONTINUITY LONGER THAN 1 MICROSECOND.

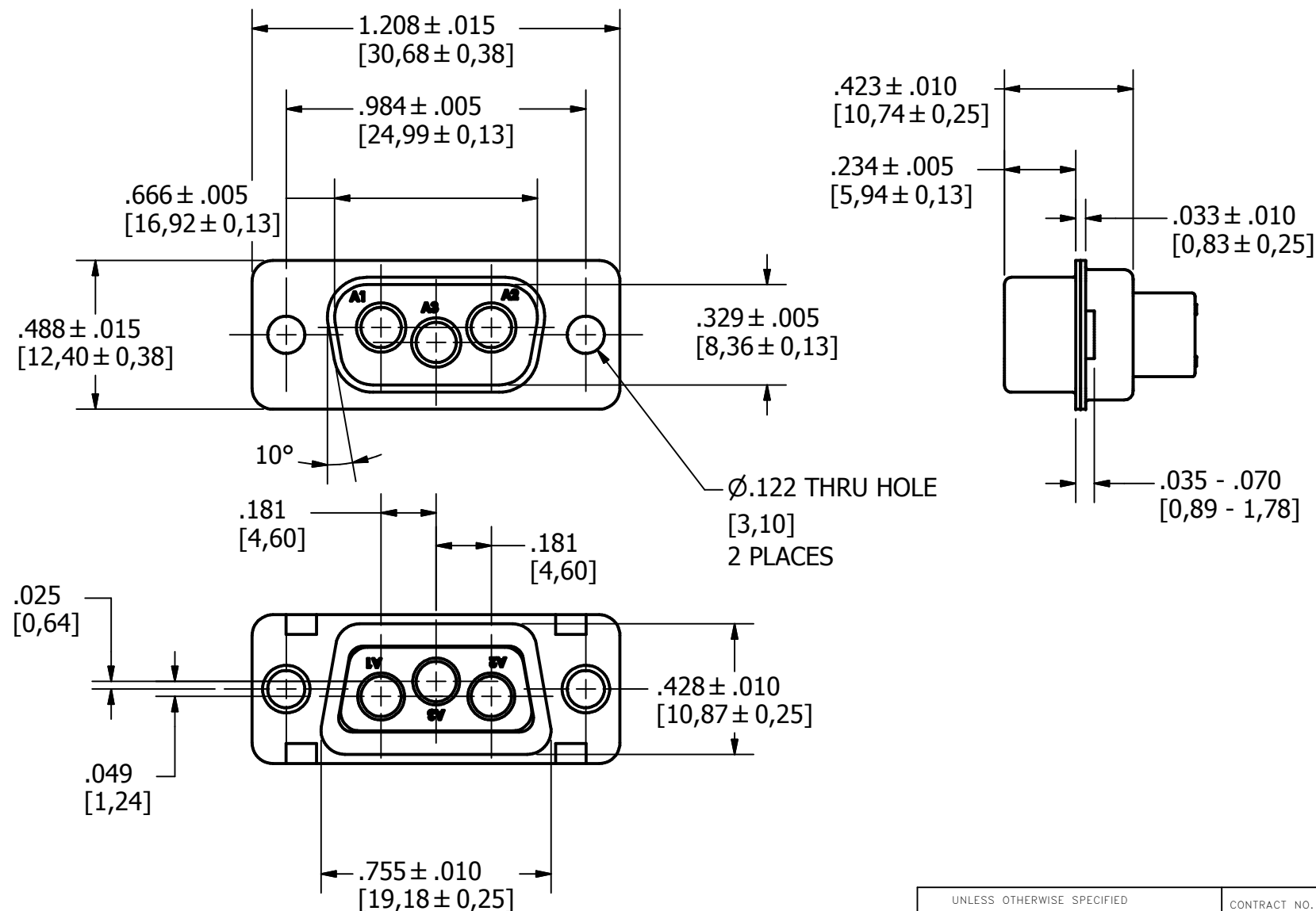
5.) DIMENSIONS ARE FOR REFERENCE ONLY, UNLESS OTHERWISE SPECIFIED.

6.) CONNECTOR MEETS REQUIREMENTS OF MIL-C-24308, LATEST REVISION.

7.) ABOVE REQUIREMENTS DO NOT INCLUDE PDM AND PKZ CONTACTS, PLEASE SEE INDIVIDUAL SPECIFICATION SHEETS.

8.) METRIC DIMENSIONS ARE SHOWN FOR REFERENCE, CONNECTORS ARE DESIGNED IN INCHES.

REV	DESCRIPTION	DATE	APPROVAL
A	ECN#11740 RELEASED FOR PRODUCTION	7/26/2013	



NEXT ASSEMBLY	USED ON

UNLESS OTHERWISE SPECIFIED DIMENSIONS ARE IN INCHES TOLERANCES ARE: FRACTIONS DECIMALS ANGLES ± 1/64 .XX ± .01 ± 1/2° .XXX ± .003	CONTRACT NO.
THE INFORMATION DISCLOSED IN THIS DOCUMENT IS CONFIDENTIAL AND PROPRIETARY TO PHOENIX CO. INC. AND MAY NOT BE USED FOR MANUFACTURE OR ANY OTHER PURPOSE WITHOUT THE WRITTEN CONSENT OF MIL-CON INC.	APPROVALS DRAWN: R.M. Bradley CHECKED: ISSUED:
DO NOT SCALE DRAWING	DATE: 4/25/2013

<i>The PHOENIX Company of Chicago™</i>			
HD, D-SUB CONNECTOR, SIZE 12 PTRP3W35, PLUG, CLRCROM / ZINC			
SIZE	FSCM NO.	DWG. NO.	REV.
B	60563	PTRP3W35	A
SCALE	SHEET 1 OF 1		
2 X 1			

4

3

2

1

4

3

2

1

SPECIFICATIONS:

1.) MATERIALS:
 INSERTS: VALOX, TYPE GPT-30F, PER MIL-M-24519.
 SHELLS: COLD ROLLED STEEL, PER ASTM A568 AND ASTM A620.

2.) FINISHES AND COLOR:
 INSERT: BLACK.
 SHELLS: RoHS COMPLIANT, HIGH RESISTANCE CLEAR CHROMATE OVER ZINC, PER ASTM B633, CLASS FE/ZN12 (.000500 MIN.), SERVICE CONDITION SC3, TYPE III.

3.) ELECTRICAL PROPERTIES:
 DIELECTRIC STRENGTH:
 500 TO 1,000 VOLTS RMS AT SEA LEVEL;
 200 TO 325 VOLTS RMS AT 70,000 FEET.
 INSULATION RESISTANCE: 1 MEGOHM MINIMUM.

4.) MECHANICAL PROPERTIES:
 OPERATING TEMPERATURE: -67° F TO +257° F (-55° C TO +125° C).
 SHOCK RESISTANCE: NO INTERRUPTION OF ELECTRICAL CONTINUITY LONGER THAN 1 MICROSECOND.
 VIBRATION RESISTANCE: NO INTERRUPTION OF ELECTRICAL CONTINUITY LONGER THAN 1 MICROSECOND.

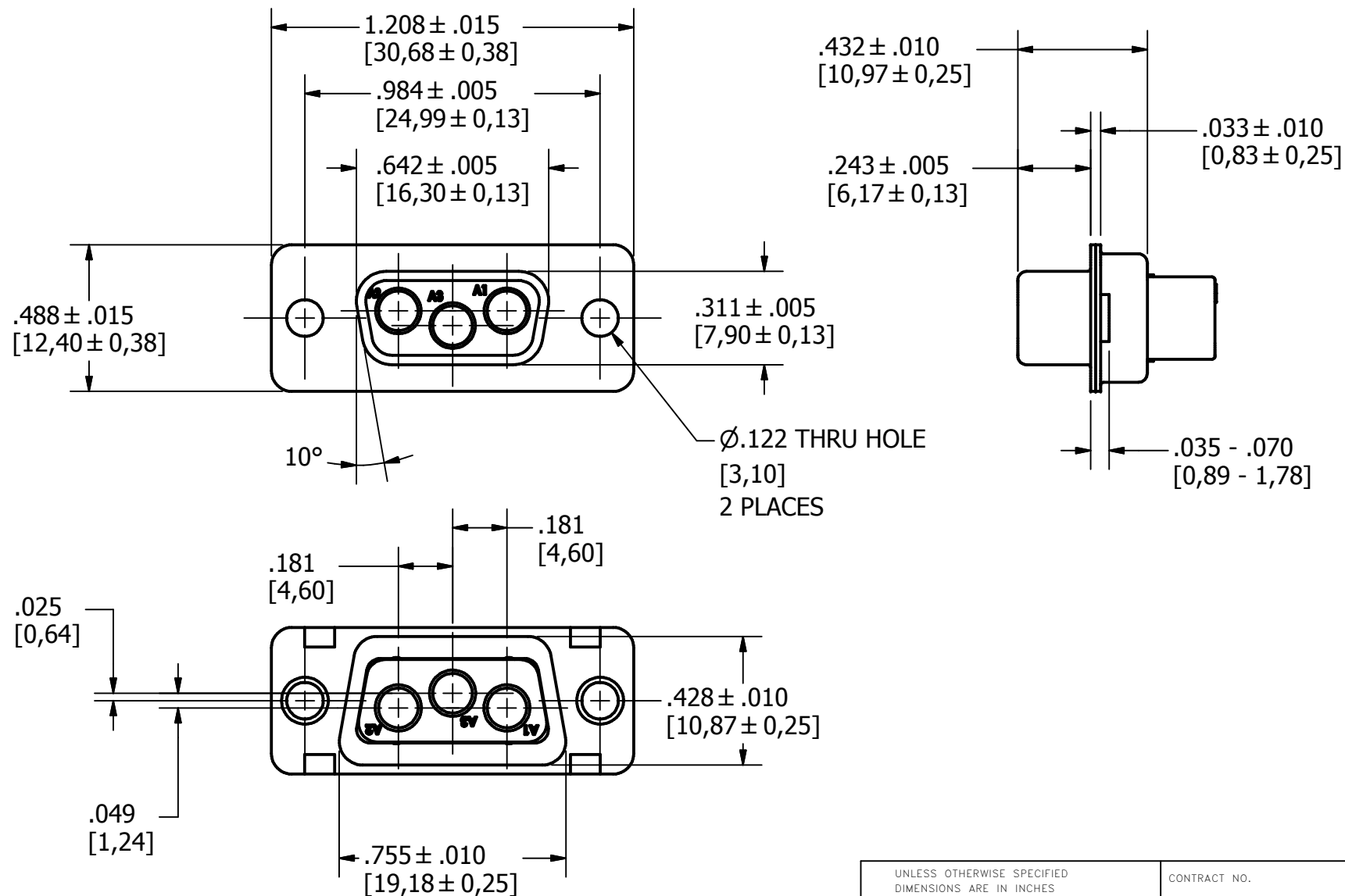
5.) DIMENSIONS ARE FOR REFERENCE ONLY, UNLESS OTHERWISE SPECIFIED.

6.) CONNECTOR MEETS REQUIREMENTS OF MIL-C-24308, LATEST REVISION.

7.) ABOVE REQUIREMENTS DO NOT INCLUDE PDM AND PKZ CONTACTS, PLEASE SEE INDIVIDUAL SPECIFICATION SHEETS.

8.) METRIC DIMENSIONS ARE SHOWN FOR REFERENCE, CONNECTORS ARE DESIGNED IN INCHES.

REV	DESCRIPTION	DATE	APPROVAL
A	ECN#11740 RELEASED FOR PRODUCTION	7/26/2013	



APPROVALS	DATE
R.M. Bradley	4/25/2013
CHECKED	
ISSUED	

UNLESS OTHERWISE SPECIFIED DIMENSIONS ARE IN INCHES TOLERANCES ARE:		CONTRACT NO.	
FRACTIONS	DECIMALS	ANGLES	
± 1/64	.XX ± .01	± 1/2°	
	.XXX ± .003		
THE INFORMATION DISCLOSED IN THIS DOCUMENT IS CONFIDENTIAL AND PROPRIETARY TO PHOENIX CO. INC. AND MAY NOT BE USED FOR MANUFACTURE OR ANY OTHER PURPOSE WITHOUT THE WRITTEN CONSENT OF MIL-CON INC.		APPROVALS	
		DATE	
		4/25/2013	
NEXT ASSEMBLY		USED ON	
APPLICATIONS		DO NOT SCALE DRAWING	

<i>The PHOENIX Company of Chicago™</i>			
HD, D-SUB CONNECTOR, SIZE 12 PTRR3W35, RECEPTACLE, CLRCROM / ZINC			
SIZE	FSCM NO.	DWG. NO.	REV.
B	60563	PTRR3W35	A
SCALE	2 X 1		SHEET 1 OF 1

4

3

2

1

SPECIFICATIONS:

1.) MATERIALS:
 INSERTS: VALOX, TYPE GPT-30F, PER MIL-M-24519.
 SHELLS: COLD ROLLED STEEL, PER ASTM A568 AND ASTM A620.

2.) FINISHES AND COLOR:
 INSERT: BLACK.
 SHELLS: RoHS COMPLIANT, HIGH RESISTANCE CLEAR CHROMATE OVER ZINC, PER ASTM B633, CLASS FE/ZN12 (.000500 MIN.), SERVICE CONDITION SC3, TYPE III.

3.) ELECTRICAL PROPERTIES:
 DIELECTRIC STRENGTH:
 500 TO 1,000 VOLTS RMS AT SEA LEVEL;
 200 TO 325 VOLTS RMS AT 70,000 FEET.
 INSULATION RESISTANCE: 1 MEGOHM MINIMUM.

4.) MECHANICAL PROPERTIES:
 OPERATING TEMPERATURE: -67° F TO +257° F (-55° C TO +125° C).
 SHOCK RESISTANCE: NO INTERRUPTION OF ELECTRICAL CONTINUITY LONGER THAN 1 MICROSECOND.
 VIBRATION RESISTANCE: NO INTERRUPTION OF ELECTRICAL CONTINUITY LONGER THAN 1 MICROSECOND.

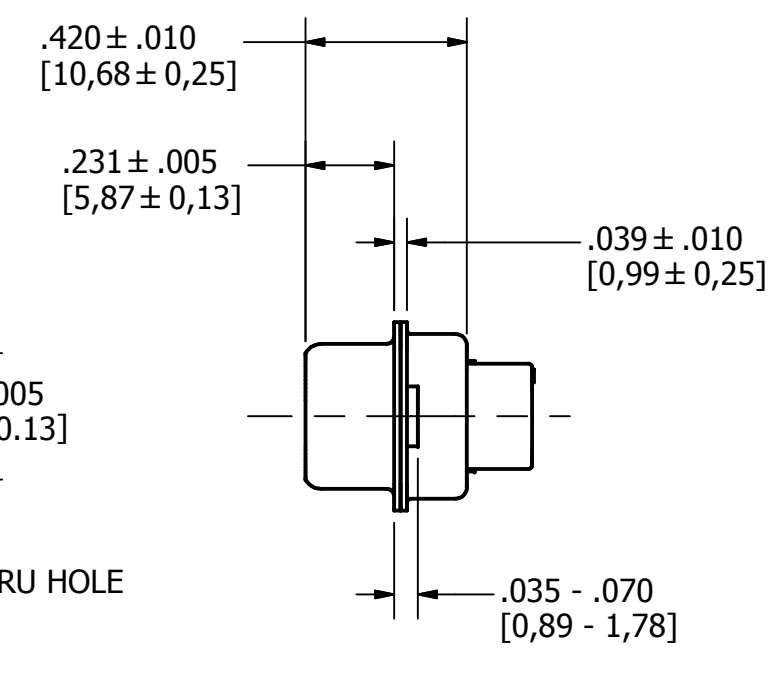
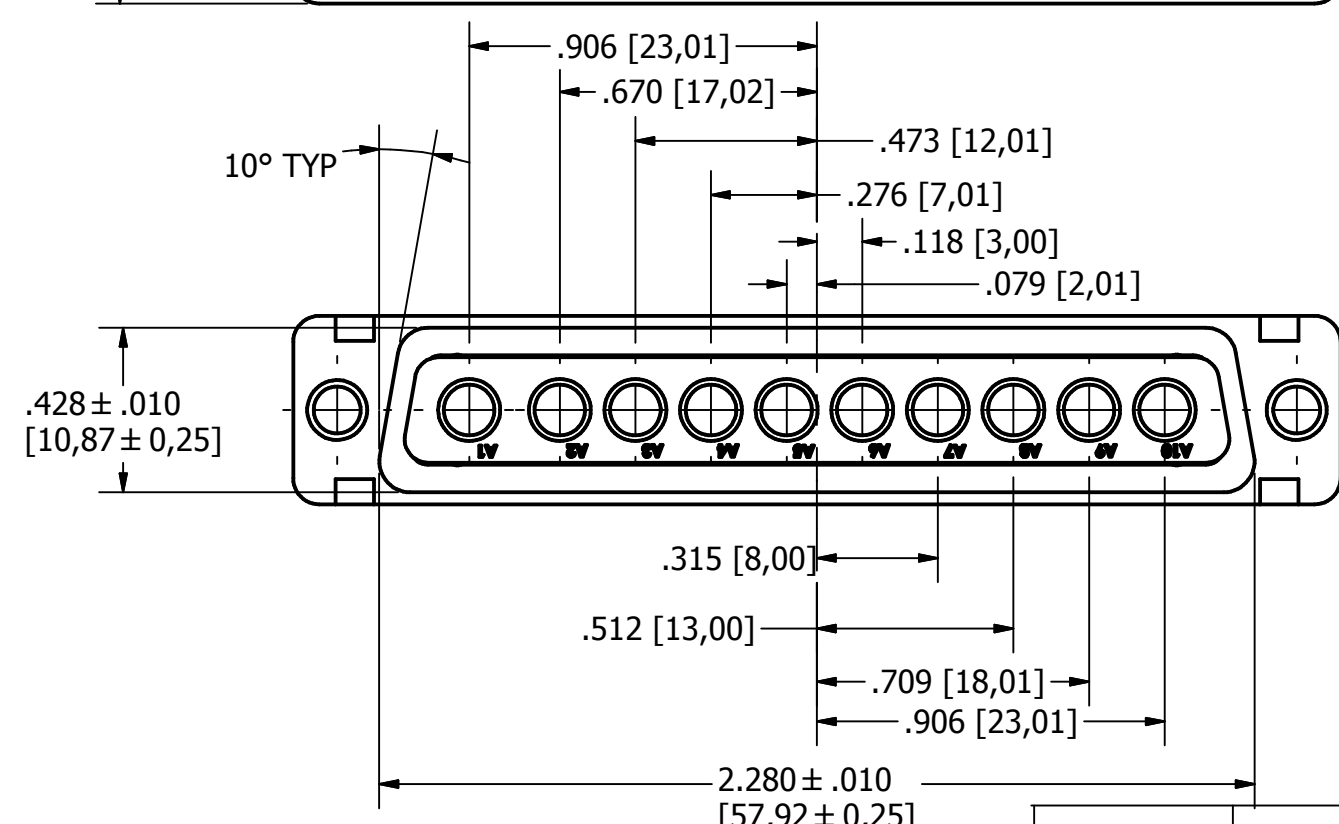
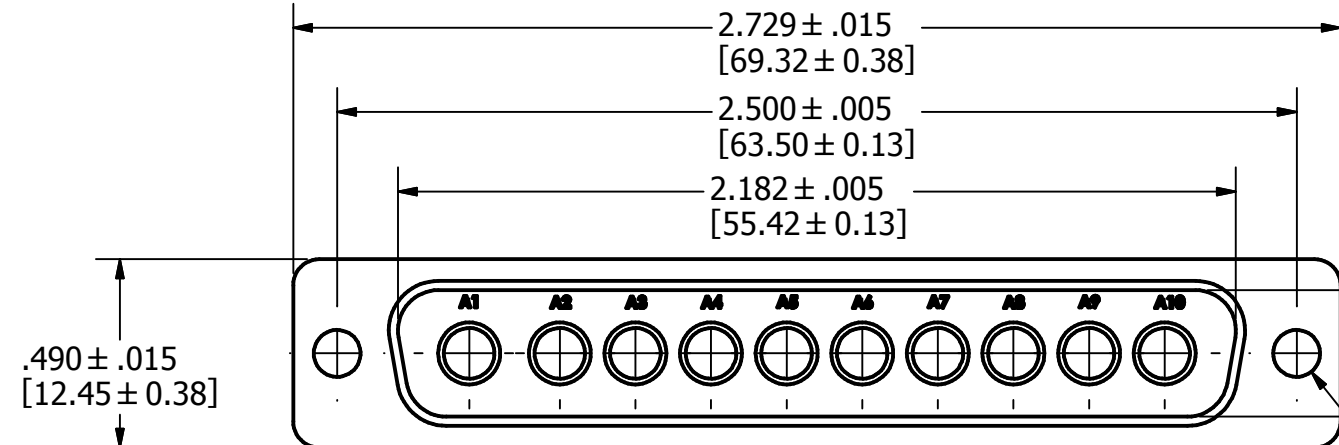
5.) DIMENSIONS ARE FOR REFERENCE ONLY, UNLESS OTHERWISE SPECIFIED.

6.) CONNECTOR MEETS REQUIREMENTS OF MIL-C-24308, LATEST REVISION.

7.) ABOVE REQUIREMENTS DO NOT INCLUDE PDM AND PKZ CONTACTS, PLEASE SEE INDIVIDUAL SPECIFICATION SHEETS.

8.) METRIC DIMENSIONS ARE SHOWN FOR REFERENCE, CONNECTORS ARE DESIGNED IN INCHES.

REV	DESCRIPTION	DATE	APPROVAL
A	ECN#11740 RELEASED FOR PRODUCTION	7/26/2013	



UNLESS OTHERWISE SPECIFIED DIMENSIONS ARE IN INCHES TOLERANCES ARE: FRACTIONS DECIMALS ANGLES $\pm 1/64$.XX ± .01 $\pm 1/2'$.XXX ± .003		CONTRACT NO.		<i>The PHOENIX Company of Chicago™</i>			
THE INFORMATION DISCLOSED IN THIS DOCUMENT IS CONFIDENTIAL AND PROPRIETARY TO PHOENIX CO. INC. AND MAY NOT BE USED FOR MANUFACTURE OR ANY OTHER PURPOSE WITHOUT THE WRITTEN CONSENT OF MIL-CON INC.		APPROVALS	DATE				
NEXT ASSEMBLY	USED ON	DRAWN R.M.Bradley	4/16/2013	SIZE B	FSCM NO. 60563	DWG. NO. PTRP10W105	REV. A
APPLICATIONS		DO NOT SCALE DRAWING		SCALE 2 X 1		SHEET 1 OF 1	

SPECIFICATIONS:
 1.) MATERIALS:
 INSERTS: VALOX, TYPE GPT-30F, PER MIL-M-24519.
 SHELLS: COLD ROLLED STEEL, PER ASTM A568 AND ASTM A620.

2.) FINISHES AND COLOR:
 INSERT: BLACK.
 SHELLS: RoHS COMPLIANT, HIGH RESISTANCE CLEAR CHROMATE OVER ZINC, PER ASTM B633, CLASS FE/ZN12 (.000500 MIN.), SERVICE CONDITION SC3, TYPE III.

3.) ELECTRICAL PROPERTIES:
 DIELECTRIC STRENGTH:
 500 TO 1,000 VOLTS RMS AT SEA LEVEL;
 200 TO 325 VOLTS RMS AT 70,000 FEET.
 INSULATION RESISTANCE: 1 MEGOHM MINIMUM.

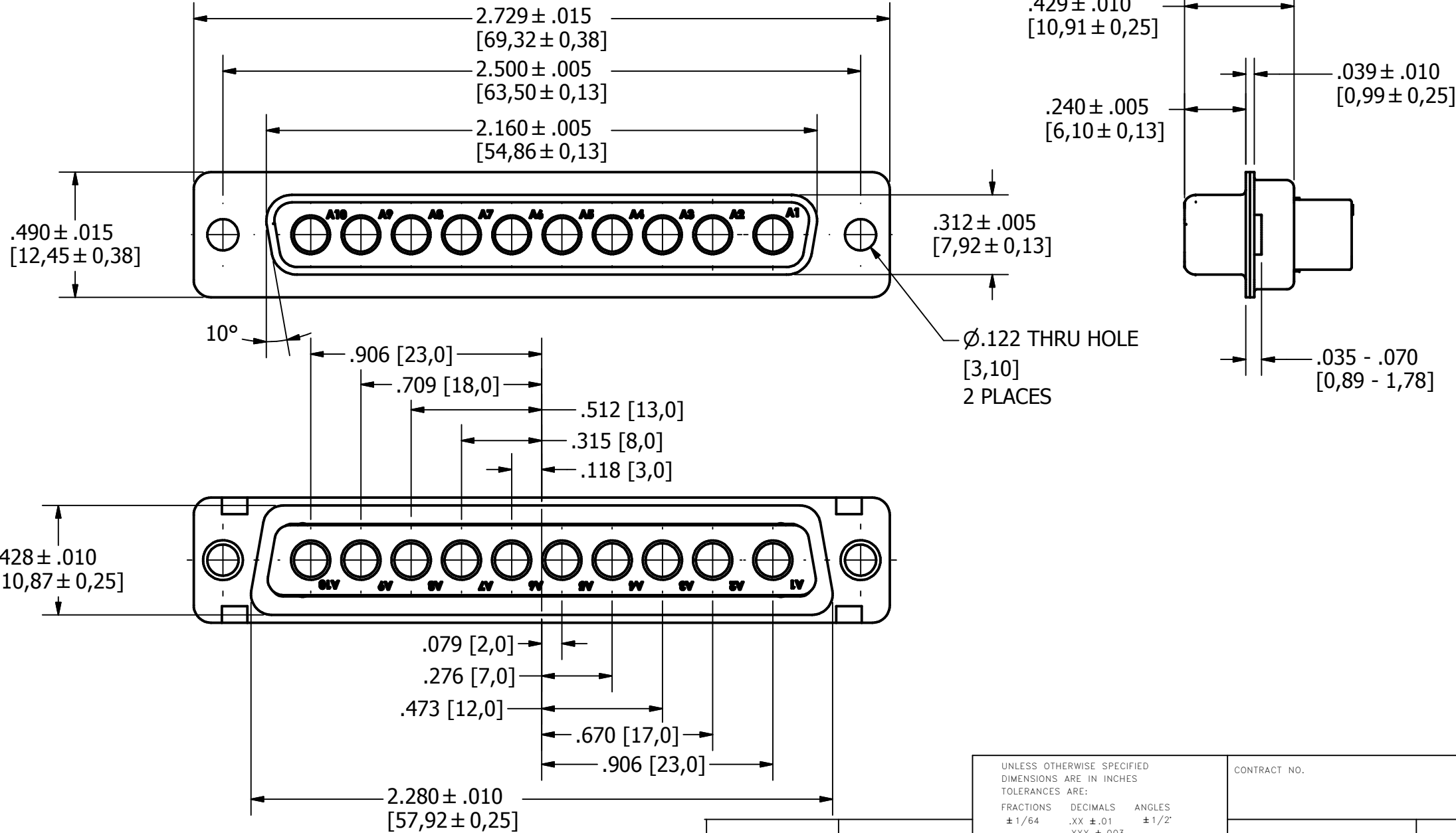
4.) MECHANICAL PROPERTIES:
 OPERATING TEMPERATURE: -67° F TO +257° F (-55° C TO +125° C).
 SHOCK RESISTANCE: NO INTERRUPTION OF ELECTRICAL CONTINUITY LONGER THAN 1 MICROSECOND.
 VIBRATION RESISTANCE: NO INTERRUPTION OF ELECTRICAL CONTINUITY LONGER THAN 1 MICROSECOND.

5.) DIMENSIONS ARE FOR REFERENCE ONLY, UNLESS OTHERWISE SPECIFIED.
 6.) CONNECTOR MEETS REQUIREMENTS OF MIL-C-24308, LATEST REVISION.

7.) ABOVE REQUIREMENTS DO NOT INCLUDE PDM AND PKZ CONTACTS, PLEASE SEE INDIVIDUAL SPECIFICATION SHEETS.

8.) METRIC DIMENSIONS ARE SHOWN FOR REFERENCE, CONNECTORS ARE DESIGNED IN INCHES.

REV	DESCRIPTION	DATE	APPROVAL
A	ECN#11740 RELEASED FOR PRODUCTION	7/26/2013	



UNLESS OTHERWISE SPECIFIED DIMENSIONS ARE IN INCHES TOLERANCES ARE: FRACTIONS DECIMALS ANGLES $\pm 1/64$.XX ± .01 ± 1/2° .XXX ± .003		CONTRACT NO.		The PHOENIX Company of Chicago™	
THE INFORMATION DISCLOSED IN THIS DOCUMENT IS CONFIDENTIAL AND PROPRIETARY TO PHOENIX CO. INC. AND MAY NOT BE USED FOR MANUFACTURE OR ANY OTHER PURPOSE WITHOUT THE WRITTEN CONSENT OF MIL-CON INC.		APPROVALS DRAWN R.M. Bradley CHECKED ISSUED	DATE 4/16/2013	HD, D-SUB CONNECTOR, SIZE 12 PTRR10W105 RECEPTACLE, CLRCROM / ZINC	
NEXT ASSEMBLY	USED ON	SIZE B	FSCM NO. 60563	DWG. NO. PTRR10W105	REV. A
APPLICATIONS		DO NOT SCALE DRAWING		SCALE 2 X 1	SHEET 1 OF 1

SPECIFICATIONS:
 1.) MATERIALS:
 INSERTS: VALOX, TYPE GPT-30F, PER MIL-M-24519.
 SHELLS: COLD ROLLED STEEL, PER ASTM A568 AND ASTM A620.

2.) FINISHES AND COLOR:
 INSERT: BLACK.
 SHELLS: RoHS COMPLIANT, HIGH RESISTANCE CLEAR CHROMATE OVER ZINC, PER ASTM B633, CLASS FE/ZN12 (.000500 MIN.), SERVICE CONDITION SC3, TYPE III.

3.) ELECTRICAL PROPERTIES:
 DIELECTRIC STRENGTH:
 500 TO 1,000 VOLTS RMS AT SEA LEVEL;
 200 TO 325 VOLTS RMS AT 70,000 FEET.
 INSULATION RESISTANCE: 1 MEGOHM MINIMUM.

4.) MECHANICAL PROPERTIES:
 OPERATING TEMPERATURE: -67° F TO +257° F (-55° C TO +125° C).
 SHOCK RESISTANCE: NO INTERRUPTION OF ELECTRICAL CONTINUITY LONGER THAN 1 MICROSECOND.
 VIBRATION RESISTANCE: NO INTERRUPTION OF ELECTRICAL CONTINUITY LONGER THAN 1 MICROSECOND.

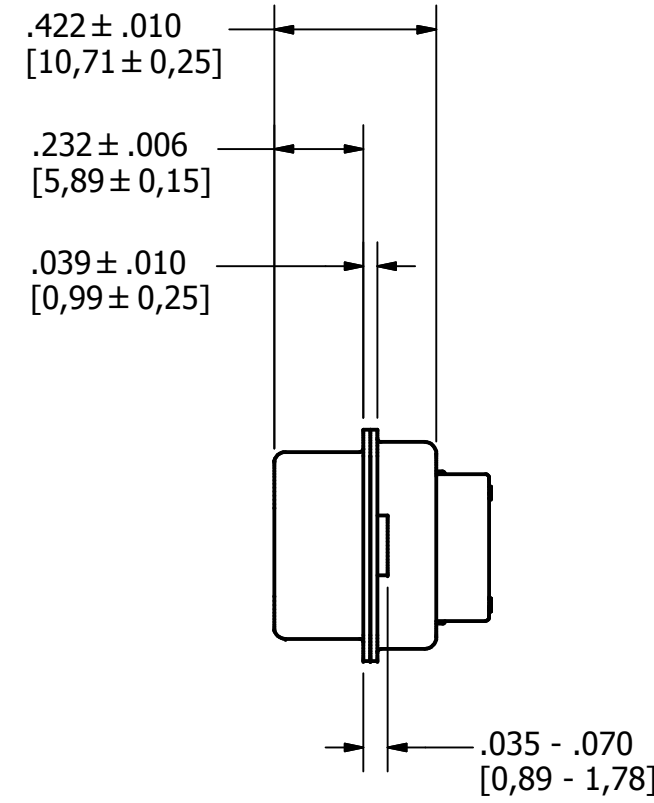
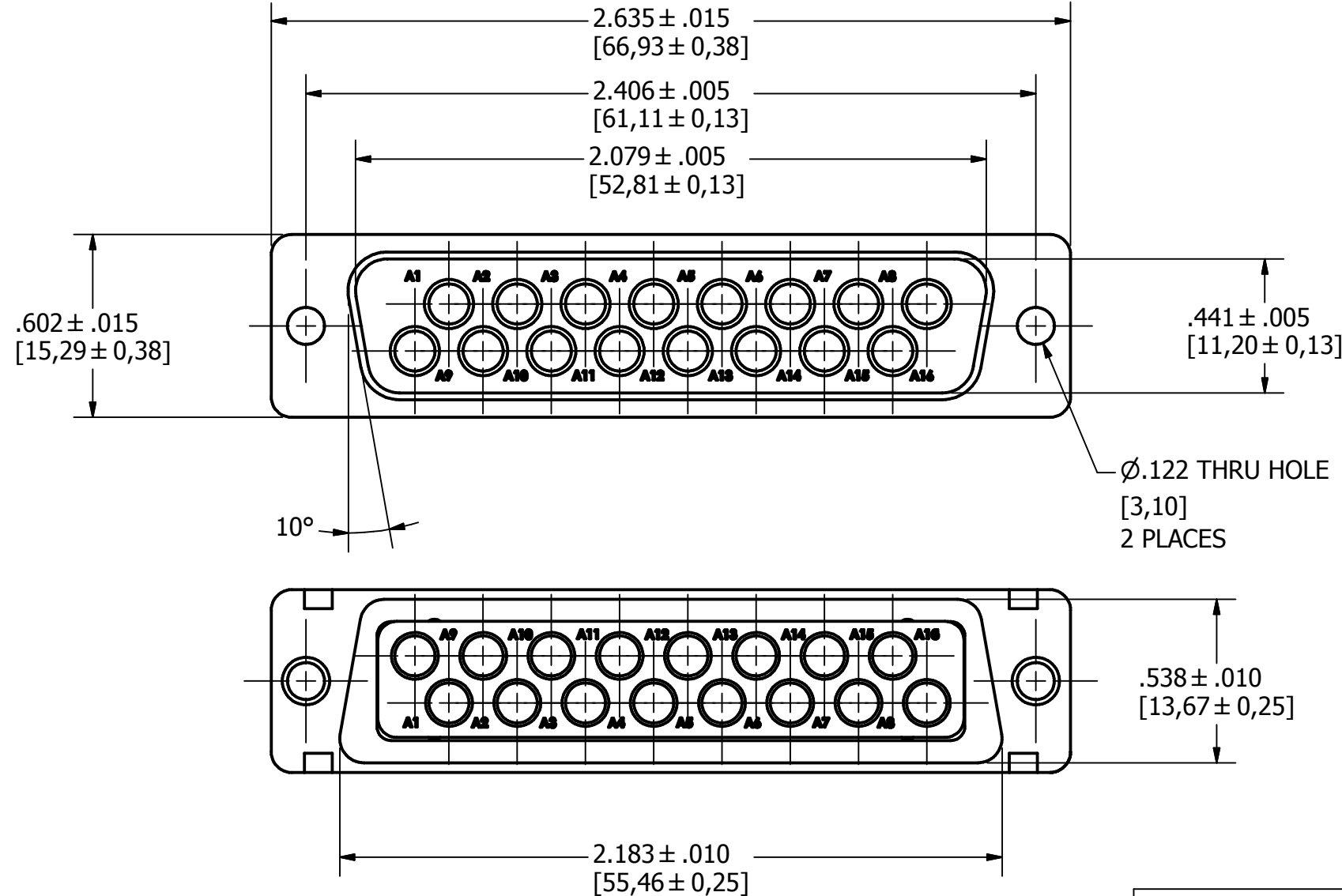
5.) DIMENSIONS ARE FOR REFERENCE ONLY, UNLESS OTHERWISE SPECIFIED.

6.) CONNECTOR MEETS REQUIREMENTS OF MIL-C-24308, LATEST REVISION.

7.) ABOVE REQUIREMENTS DO NOT INCLUDE PDM AND PKZ CONTACTS, PLEASE SEE INDIVIDUAL SPECIFICATION SHEETS.

8.) METRIC DIMENSIONS ARE SHOWN FOR REFERENCE, CONNECTORS ARE DESIGNED IN INCHES.

REV	DESCRIPTION	DATE	APPROVAL
A	ECN#11740 RELEASED FOR PRODUCTION	7/26/2013	



UNLESS OTHERWISE SPECIFIED
 DIMENSIONS ARE IN INCHES
 TOLERANCES ARE:
 FRACTIONS DECIMALS ANGLES
 ± 1/64 .XX ± .01 ± 1/2°
 .XXX ± .003

THE INFORMATION DISCLOSED IN
 THIS DOCUMENT IS CONFIDENTIAL
 AND PROPRIETARY TO PHOENIX CO.
 INC. AND MAY NOT BE USED FOR
 MANUFACTURE OR ANY OTHER
 PURPOSE WITHOUT THE WRITTEN
 CONSENT OF MIL-CON INC.

NEXT ASSEMBLY	USED ON
APPLICATIONS	

DO NOT SCALE DRAWING

CONTRACT NO.	
APPROVALS	DATE
DRAWN R.M. Bradley	4/19/2013
CHECKED	
ISSUED	

The PHOENIX Company of Chicago™

**HD, D-SUB CONNECTOR, SIZE 12
 PTRP16W165, PLUG, CLRCROM / ZINC**

SIZE B	FSCM NO. 60563	DWG. NO. PTRP16W165	REV. A
SCALE 2 X 1		SHEET 1 OF 1	

4

3

2

1

SPECIFICATIONS:

1.) MATERIALS:
 INSERTS: VALOX, TYPE GPT-30F, PER MIL-M-24519.
 SHELLS: COLD ROLLED STEEL, PER ASTM A568 AND ASTM A620.

2.) FINISHES AND COLOR:
 INSERT: BLACK.
 SHELLS: RoHS COMPLIANT, HIGH RESISTANCE CLEAR CHROMATE OVER ZINC, PER ASTM B633, CLASS FE/ZN12 (.000500 MIN.), SERVICE CONDITION SC3, TYPE III.

3.) ELECTRICAL PROPERTIES:
 DIELECTRIC STRENGTH:
 500 TO 1,000 VOLTS RMS AT SEA LEVEL;
 200 TO 325 VOLTS RMS AT 70,000 FEET.
 INSULATION RESISTANCE: 1 MEGOHM MINIMUM.

4.) MECHANICAL PROPERTIES:
 OPERATING TEMPERATURE: -67° F TO +257° F (-55° C TO +125° C).
 SHOCK RESISTANCE: NO INTERRUPTION OF ELECTRICAL CONTINUITY LONGER THAN 1 MICROSECOND.
 VIBRATION RESISTANCE: NO INTERRUPTION OF ELECTRICAL CONTINUITY LONGER THAN 1 MICROSECOND.

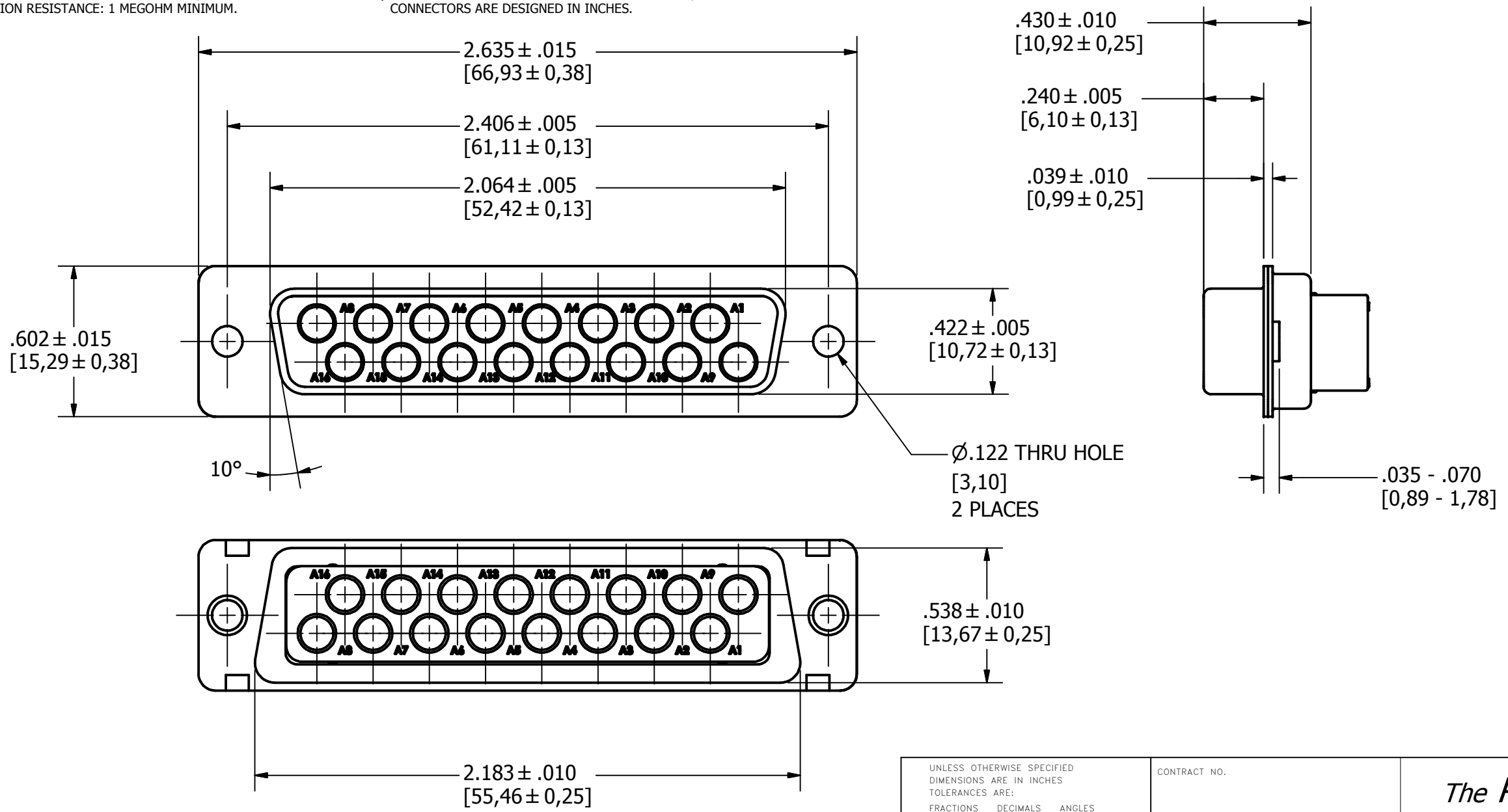
5.) DIMENSIONS ARE FOR REFERENCE ONLY, UNLESS OTHERWISE SPECIFIED.

6.) CONNECTOR MEETS REQUIREMENTS OF MIL-C-24308, LATEST REVISION.

7.) ABOVE REQUIREMENTS DO NOT INCLUDE PDM AND PKZ CONTACTS, PLEASE SEE INDIVIDUAL SPECIFICATION SHEETS.

8.) METRIC DIMENSIONS ARE SHOWN FOR REFERENCE, CONNECTORS ARE DESIGNED IN INCHES.

REV	DESCRIPTION	DATE	APPROVAL
A	ECN#11740 RELEASED FOR PRODUCTION	7/26/2013	



NEXT ASSEMBLY	USED ON
APPLICATIONS	

UNLESS OTHERWISE SPECIFIED DIMENSIONS ARE IN INCHES TOLERANCES ARE: FRACTIONS DECIMALS ANGLES ± 1/64 .XX ± .01 ± 1/2° .XXX ± .003	CONTRACT NO.
THE INFORMATION DISCLOSED IN THIS DOCUMENT IS CONFIDENTIAL AND PROPRIETARY TO PHOENIX CO. INC. AND MAY NOT BE USED FOR MANUFACTURE OR ANY OTHER PURPOSE WITHOUT THE WRITTEN CONSENT OF MIL-CON INC.	APPROVALS
	DATE
	ISSUED

<i>The PHOENIX Company of Chicago™</i>			
HD, D-SUB CONNECTOR, SIZE 12 PTRR16W165, RECEPTACLE, CLRCROM / ZINC			
SIZE	FSCM NO.	DWG. NO.	REV.
B	60563	PTRR16W165	A
SCALE 2 X 1		SHEET 1 OF 1	

4

3

2

1