

NOTES:

1. DESIGN AND INTERFACE PER IDS-56A.
2. ACCOMMODATES RG-316 OR EQUIVALENT CABLES.
3. FOR USE IN BENDIX LRM OR SIZE 12 D-SUB HOUSINGS.
4. CRIMP USING .128 HEX DIE (M22520/5-03).
5. "J" PLATING TESTED TO 20 GAMMA MAX.
6. CONTACT SHIPPED LOOSE.

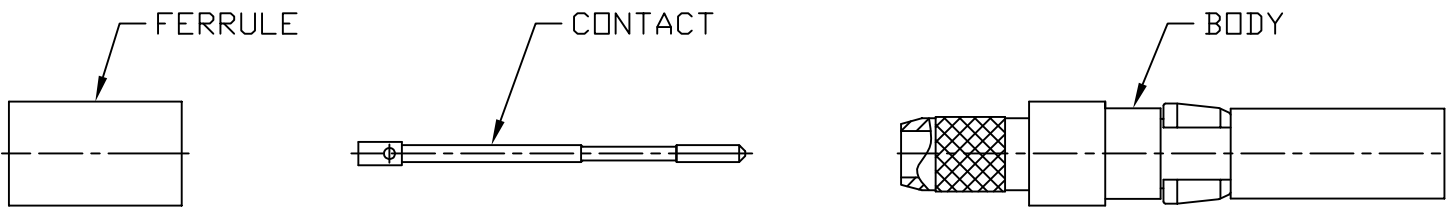
				PALCO CONNECTOR 22 GREAT HILL RD., NAUGATUCK, CT 06770 UNLESS OTHERWISE SPECIFIED, PALCO WORKMANSHIP STANDARDS APPLY TOLERANCES ON: DECIMALS: XX ± .01 .XXX ± .005 ANGLES ±1/2° 32√ DIMENSIONS IN INCHES OR (METRIC) DO NOT SCALE PRINTS	DRAWN JEM	CHECKED JEM	ENGINEER JEM	APPROVED JEM	FSCM 58167
C	PER ECN 11737	07/22/13	JEM		Ⓢ	DESCRIPTION SIZE 12 PKZ RECEPTACLE, CRIMP TYPE			
B	PER ECN 11653	04/22/13	JEM	DATE 10/05/12		DRAWING NO. 56-1902-0670	PLATING OPT. J		
A	PER ECN 11633	04/03/13	JEM	CATALOG ITEM					
REV.	DESCRIPTION	DATE	APPR.						

CABLE ASSEMBLY PROCEDURE	
P/N	56-1902-0670
PAGE 1 OF 1	DATE: 04/03/13
DRAWN: JEM	APPROVED: JEM
FOR USE WITH RG-316 CABLE	

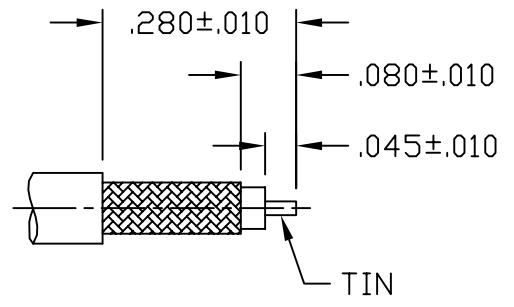
PALEO
CONNECTOR

22 GREAT HILL ROAD, NAUGATUCK, CT. 06770
PHONE: (203) 729-9090 FAX: (203) 723-1794

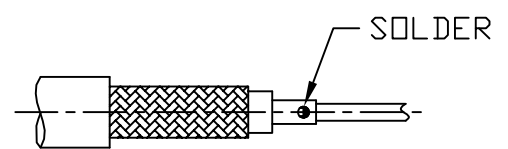
REV	DESCRIPTION	DATE	APPR
A	PER ECN 11633	04/03/13	JEM
B	PER ECN 11653	04/22/13	JEM
C	PER ECN 11737	07/22/13	JEM



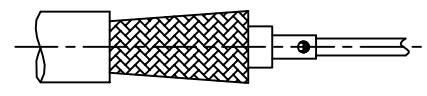
STEP 1
TRIM CABLE TO DIMENSIONS SHOWN.
TIN CENTER CONDUCTOR.



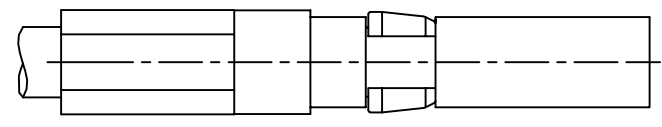
STEP 2
SOLDER CONTACT ONTO CABLE
AS SHOWN.



STEP 3
SLIDE FERRULE OVER CABLE. FLARE
CABLE BY ROTATING DIELECTRIC.



STEP 4
INSERT CABLE INTO BODY UNTIL CABLE
BOTTOMS. SLIDE FERRULE UP AGAINST
BODY. CRIMP FERRULE USING .128 HEX
DIE (M22520/5-03).



4

3

2

1

SPECIFICATIONS:

1.) MATERIALS:
 INSERTS: VALOX, TYPE GPT-30F, PER MIL-M-24519.
 SHELLS: COLD ROLLED STEEL, PER ASTM A568 AND ASTM A620.

2.) FINISHES AND COLOR:
 INSERT: BLACK.
 SHELLS: RoHS COMPLIANT, HIGH RESISTANCE CLEAR CHROMATE OVER ZINC, PER ASTM B633, CLASS FE/ZN12 (.000500 MIN.), SERVICE CONDITION SC3, TYPE III.

3.) ELECTRICAL PROPERTIES:
 DIELECTRIC STRENGTH:
 500 TO 1,000 VOLTS RMS AT SEA LEVEL;
 200 TO 325 VOLTS RMS AT 70,000 FEET.
 INSULATION RESISTANCE: 1 MEGOHM MINIMUM.

4.) MECHANICAL PROPERTIES:
 OPERATING TEMPERATURE: -67° F TO +257° F (-55° C TO +125° C).
 SHOCK RESISTANCE: NO INTERRUPTION OF ELECTRICAL CONTINUITY LONGER THAN 1 MICROSECOND.
 VIBRATION RESISTANCE: NO INTERRUPTION OF ELECTRICAL CONTINUITY LONGER THAN 1 MICROSECOND.

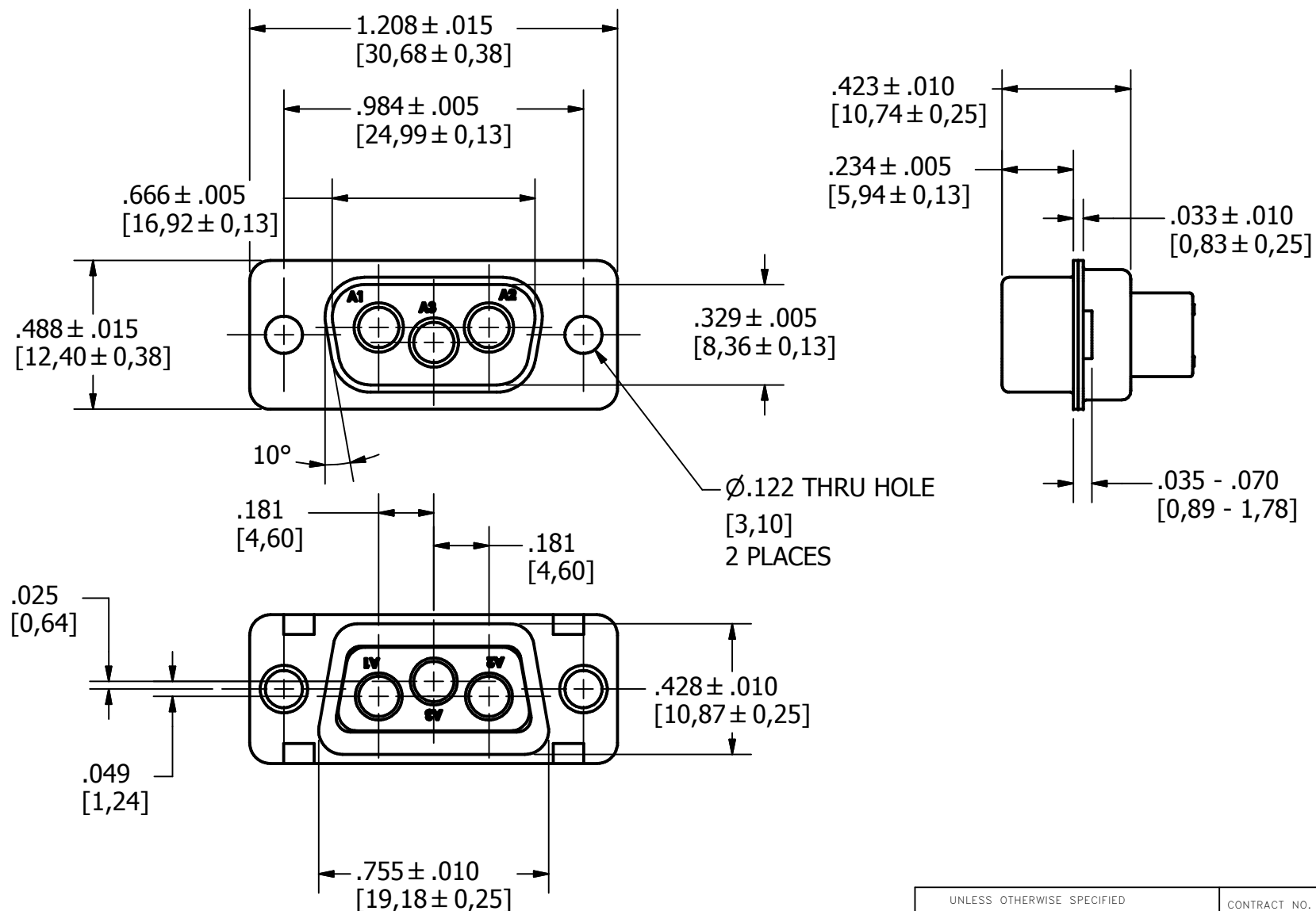
5.) DIMENSIONS ARE FOR REFERENCE ONLY, UNLESS OTHERWISE SPECIFIED.

6.) CONNECTOR MEETS REQUIREMENTS OF MIL-C-24308, LATEST REVISION.

7.) ABOVE REQUIREMENTS DO NOT INCLUDE PDM AND PKZ CONTACTS, PLEASE SEE INDIVIDUAL SPECIFICATION SHEETS.

8.) METRIC DIMENSIONS ARE SHOWN FOR REFERENCE, CONNECTORS ARE DESIGNED IN INCHES.

REV	DESCRIPTION	DATE	APPROVAL
A	ECN#11740 RELEASED FOR PRODUCTION	7/26/2013	



UNLESS OTHERWISE SPECIFIED
 DIMENSIONS ARE IN INCHES
 TOLERANCES ARE:
 FRACTIONS DECIMALS ANGLES
 $\pm 1/64$.XX ± .01 $\pm 1/2^\circ$
 .XXX ± .003

THE INFORMATION DISCLOSED IN
 THIS DOCUMENT IS CONFIDENTIAL
 AND PROPRIETARY TO PHOENIX CO.
 INC. AND MAY NOT BE USED FOR
 MANUFACTURE OR ANY OTHER
 PURPOSE WITHOUT THE WRITTEN
 CONSENT OF MIL-CON INC.

CONTRACT NO.	
APPROVALS	DATE
DRAWN R.M. Bradley	4/25/2013
CHECKED	
ISSUED	

The PHOENIX Company of Chicago™

**HD, D-SUB CONNECTOR, SIZE 12
 PTRP3W35, PLUG, CLRCROM / ZINC**

SIZE B	FSCM NO. 60563	DWG. NO. PTRP3W35	REV. A
SCALE 2 X1		SHEET 1 OF 1	

4

3

2

1

4

3

2

1

SPECIFICATIONS:

1.) MATERIALS:
 INSERTS: VALOX, TYPE GPT-30F, PER MIL-M-24519.
 SHELLS: COLD ROLLED STEEL, PER ASTM A568 AND ASTM A620.

2.) FINISHES AND COLOR:
 INSERT: BLACK.
 SHELLS: RoHS COMPLIANT, HIGH RESISTANCE CLEAR CHROMATE OVER ZINC, PER ASTM B633, CLASS FE/ZN12 (.000500 MIN.), SERVICE CONDITION SC3, TYPE III.

3.) ELECTRICAL PROPERTIES:
 DIELECTRIC STRENGTH:
 500 TO 1,000 VOLTS RMS AT SEA LEVEL;
 200 TO 325 VOLTS RMS AT 70,000 FEET.
 INSULATION RESISTANCE: 1 MEGOHM MINIMUM.

4.) MECHANICAL PROPERTIES:
 OPERATING TEMPERATURE: -67° F TO +257° F (-55° C TO +125° C).
 SHOCK RESISTANCE: NO INTERRUPTION OF ELECTRICAL CONTINUITY LONGER THAN 1 MICROSECOND.
 VIBRATION RESISTANCE: NO INTERRUPTION OF ELECTRICAL CONTINUITY LONGER THAN 1 MICROSECOND.

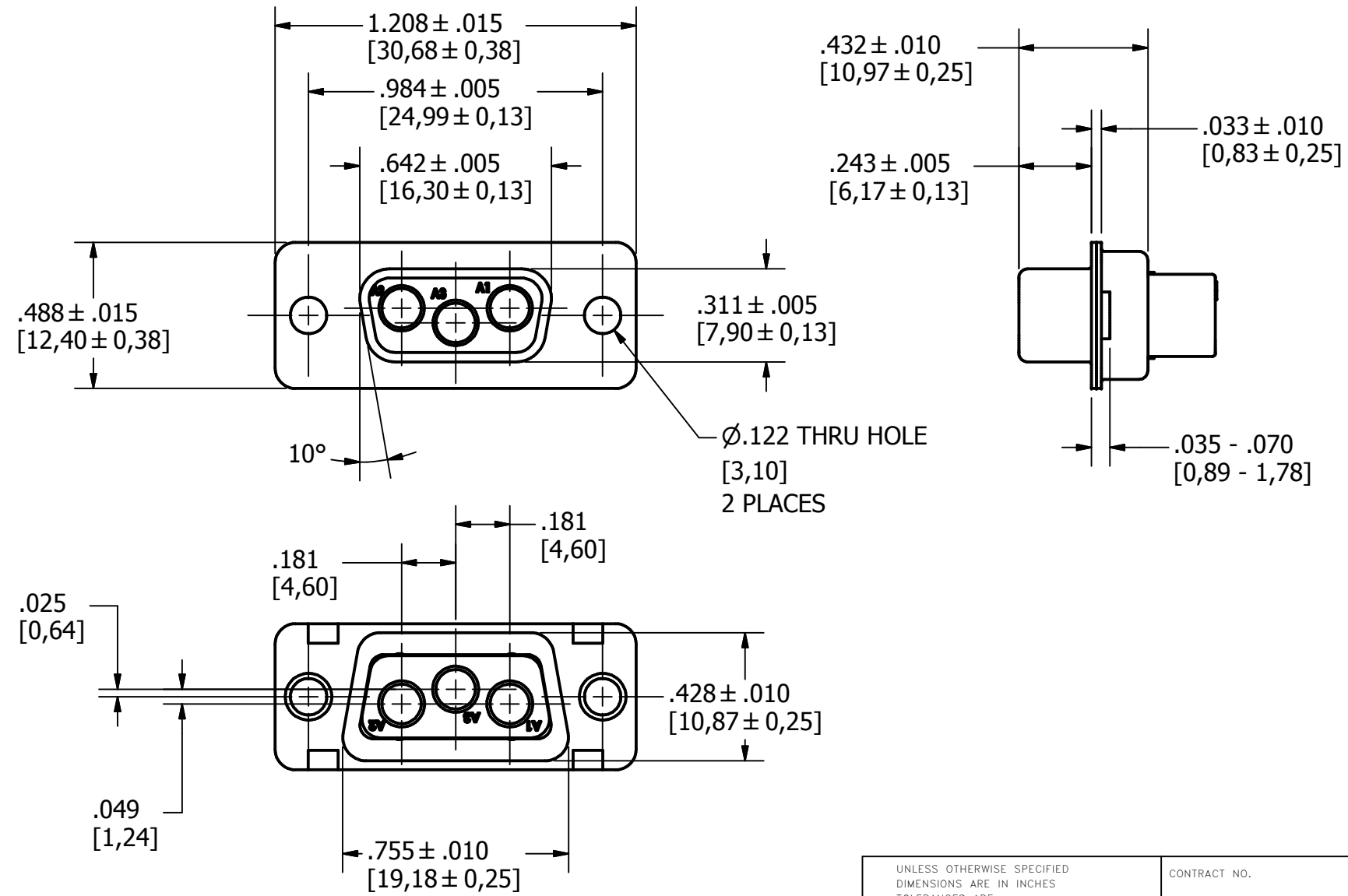
5.) DIMENSIONS ARE FOR REFERENCE ONLY, UNLESS OTHERWISE SPECIFIED.

6.) CONNECTOR MEETS REQUIREMENTS OF MIL-C-24308, LATEST REVISION.

7.) ABOVE REQUIREMENTS DO NOT INCLUDE PDM AND PKZ CONTACTS, PLEASE SEE INDIVIDUAL SPECIFICATION SHEETS.

8.) METRIC DIMENSIONS ARE SHOWN FOR REFERENCE, CONNECTORS ARE DESIGNED IN INCHES.

REV	DESCRIPTION	DATE	APPROVAL
A	ECN#11740 RELEASED FOR PRODUCTION	7/26/2013	



APPROVALS	DATE
R.M. Bradley	4/25/2013
CHECKED	
ISSUED	

UNLESS OTHERWISE SPECIFIED DIMENSIONS ARE IN INCHES TOLERANCES ARE: FRACTIONS DECIMALS ANGLES ± 1/64 .XX ± .01 ± 1/2° .XXX ± .003	CONTRACT NO.
THE INFORMATION DISCLOSED IN THIS DOCUMENT IS CONFIDENTIAL AND PROPRIETARY TO PHOENIX CO. INC. AND MAY NOT BE USED FOR MANUFACTURE OR ANY OTHER PURPOSE WITHOUT THE WRITTEN CONSENT OF MIL-CON INC.	APPROVALS
DO NOT SCALE DRAWING	DATE
	SCALE 2 X 1

The PHOENIX Company of Chicago™

**HD, D-SUB CONNECTOR, SIZE 12
 PTRR3W35, RECEPTACLE, CLRCROM / ZINC**

SIZE	FSCM NO.	DWG. NO.	REV.
B	60563	PTRR3W35	A

SHEET 1 OF 1

4

3

2

1

SPECIFICATIONS:

1.) MATERIALS:
 INSERTS: VALOX, TYPE GPT-30F, PER MIL-M-24519.
 SHELLS: COLD ROLLED STEEL, PER ASTM A568 AND ASTM A620.

2.) FINISHES AND COLOR:
 INSERT: BLACK.
 SHELLS: RoHS COMPLIANT, HIGH RESISTANCE CLEAR CHROMATE OVER ZINC, PER ASTM B633, CLASS FE/ZN12 (.000500 MIN.), SERVICE CONDITION SC3, TYPE III.

3.) ELECTRICAL PROPERTIES:
 DIELECTRIC STRENGTH:
 500 TO 1,000 VOLTS RMS AT SEA LEVEL;
 200 TO 325 VOLTS RMS AT 70,000 FEET.
 INSULATION RESISTANCE: 1 MEGOHM MINIMUM.

4.) MECHANICAL PROPERTIES:
 OPERATING TEMPERATURE: -67° F TO +257° F (-55° C TO +125° C).
 SHOCK RESISTANCE: NO INTERRUPTION OF ELECTRICAL CONTINUITY LONGER THAN 1 MICROSECOND.
 VIBRATION RESISTANCE: NO INTERRUPTION OF ELECTRICAL CONTINUITY LONGER THAN 1 MICROSECOND.

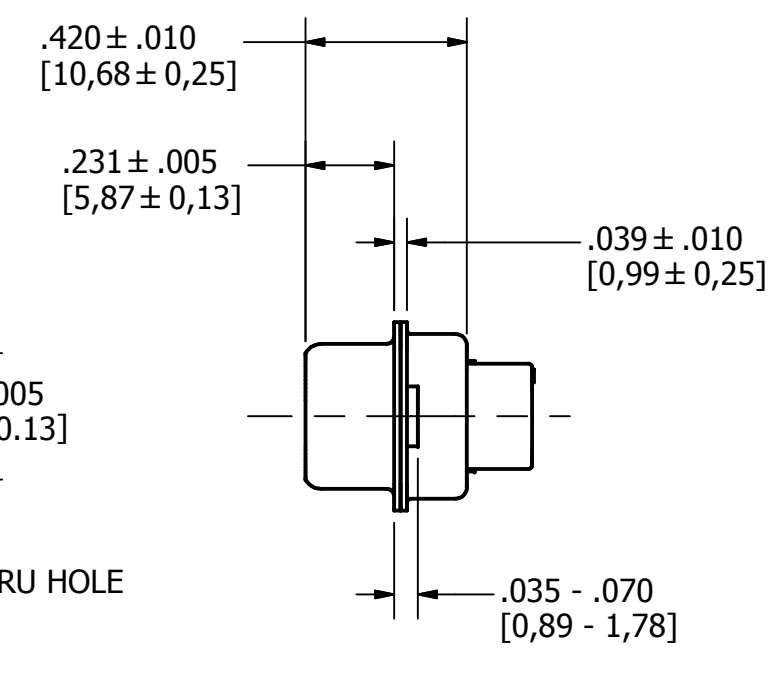
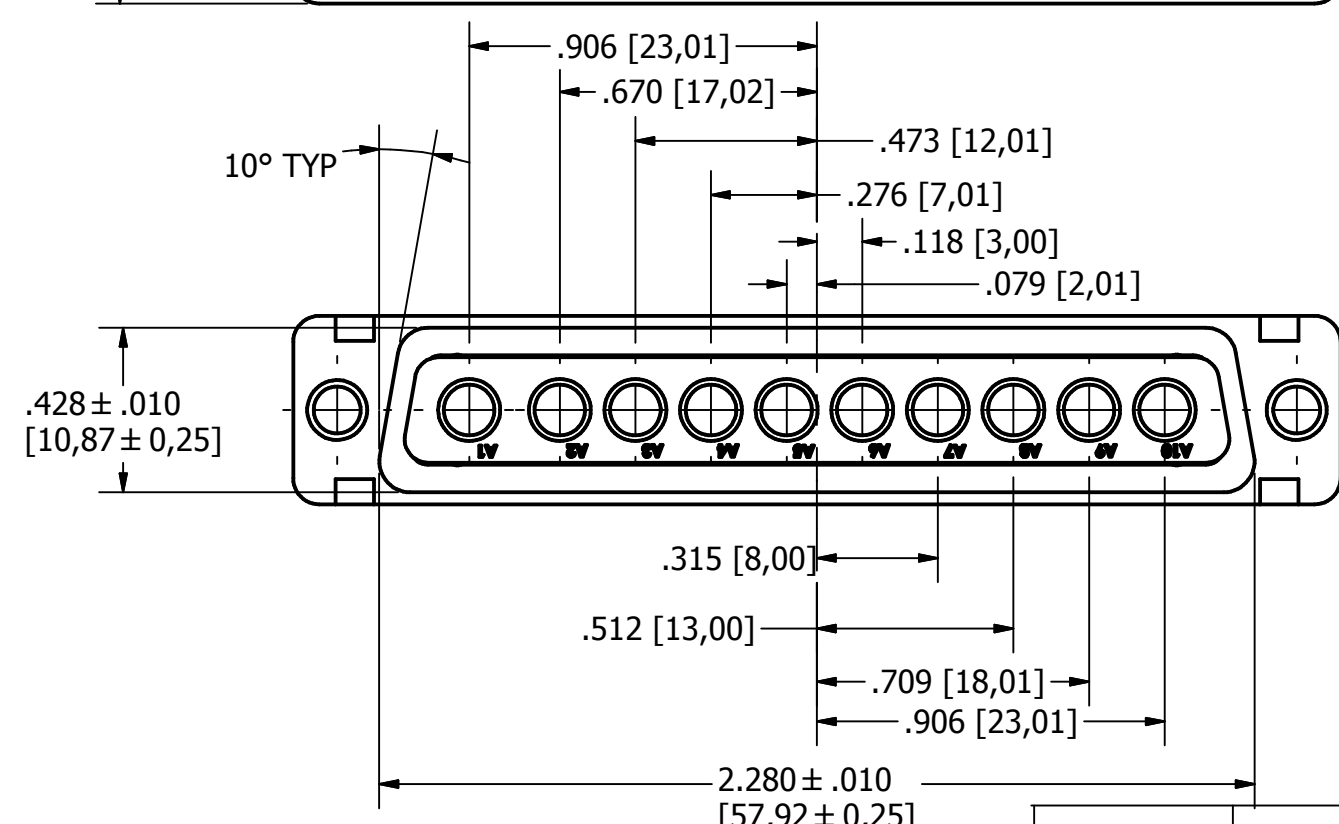
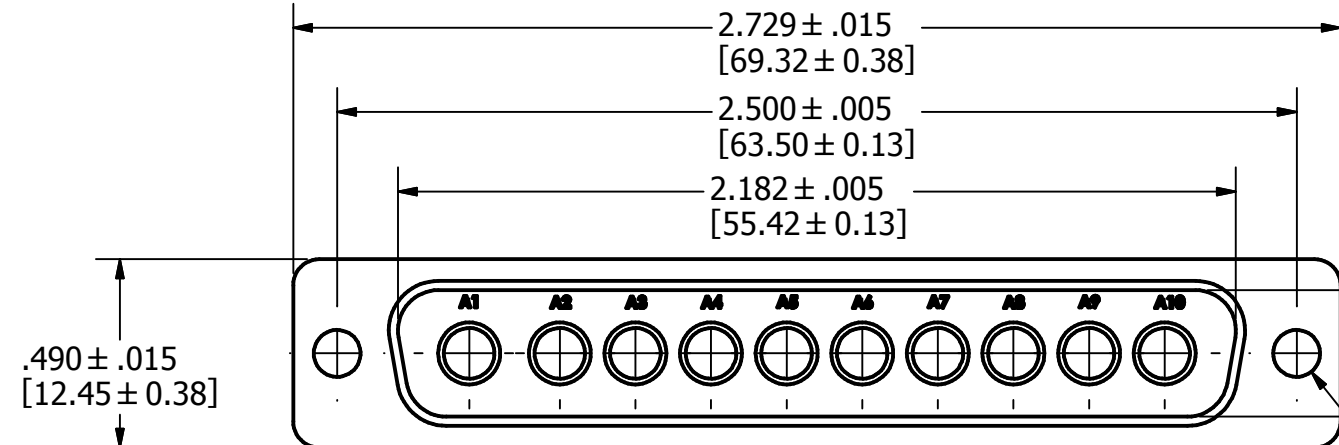
5.) DIMENSIONS ARE FOR REFERENCE ONLY, UNLESS OTHERWISE SPECIFIED.

6.) CONNECTOR MEETS REQUIREMENTS OF MIL-C-24308, LATEST REVISION.

7.) ABOVE REQUIREMENTS DO NOT INCLUDE PDM AND PKZ CONTACTS, PLEASE SEE INDIVIDUAL SPECIFICATION SHEETS.

8.) METRIC DIMENSIONS ARE SHOWN FOR REFERENCE, CONNECTORS ARE DESIGNED IN INCHES.

REV	DESCRIPTION	DATE	APPROVAL
A	ECN#11740 RELEASED FOR PRODUCTION	7/26/2013	



UNLESS OTHERWISE SPECIFIED DIMENSIONS ARE IN INCHES TOLERANCES ARE: FRACTIONS DECIMALS ANGLES $\pm 1/64$.XX ± .01 $\pm 1/2^\circ$.XXX ± .003		CONTRACT NO.		The PHOENIX Company of Chicago™			
THE INFORMATION DISCLOSED IN THIS DOCUMENT IS CONFIDENTIAL AND PROPRIETARY TO PHOENIX CO. INC. AND MAY NOT BE USED FOR MANUFACTURE OR ANY OTHER PURPOSE WITHOUT THE WRITTEN CONSENT OF MIL-CON INC.		APPROVALS	DATE				
NEXT ASSEMBLY	USED ON	DRAWN R.M. Bradley	4/16/2013	SIZE B	FSCM NO. 60563	DWG. NO. PTRP10W105	REV. A
APPLICATIONS		DO NOT SCALE DRAWING		SCALE 2 X 1	SHEET 1 OF 1		

4

3

2

1

SPECIFICATIONS:

1.) MATERIALS:
 INSERTS: VALOX, TYPE GPT-30F, PER MIL-M-24519.
 SHELLS: COLD ROLLED STEEL, PER ASTM A568 AND ASTM A620.

2.) FINISHES AND COLOR:
 INSERT: BLACK.
 SHELLS: RoHS COMPLIANT, HIGH RESISTANCE CLEAR CHROMATE OVER ZINC, PER ASTM B633, CLASS FE/ZN12 (.000500 MIN.), SERVICE CONDITION SC3, TYPE III.

3.) ELECTRICAL PROPERTIES:
 DIELECTRIC STRENGTH:
 500 TO 1,000 VOLTS RMS AT SEA LEVEL;
 200 TO 325 VOLTS RMS AT 70,000 FEET.
 INSULATION RESISTANCE: 1 MEGOHM MINIMUM.

4.) MECHANICAL PROPERTIES:
 OPERATING TEMPERATURE: -67° F TO +257° F (-55° C TO +125° C).
 SHOCK RESISTANCE: NO INTERRUPTION OF ELECTRICAL CONTINUITY LONGER THAN 1 MICROSECOND.
 VIBRATION RESISTANCE: NO INTERRUPTION OF ELECTRICAL CONTINUITY LONGER THAN 1 MICROSECOND.

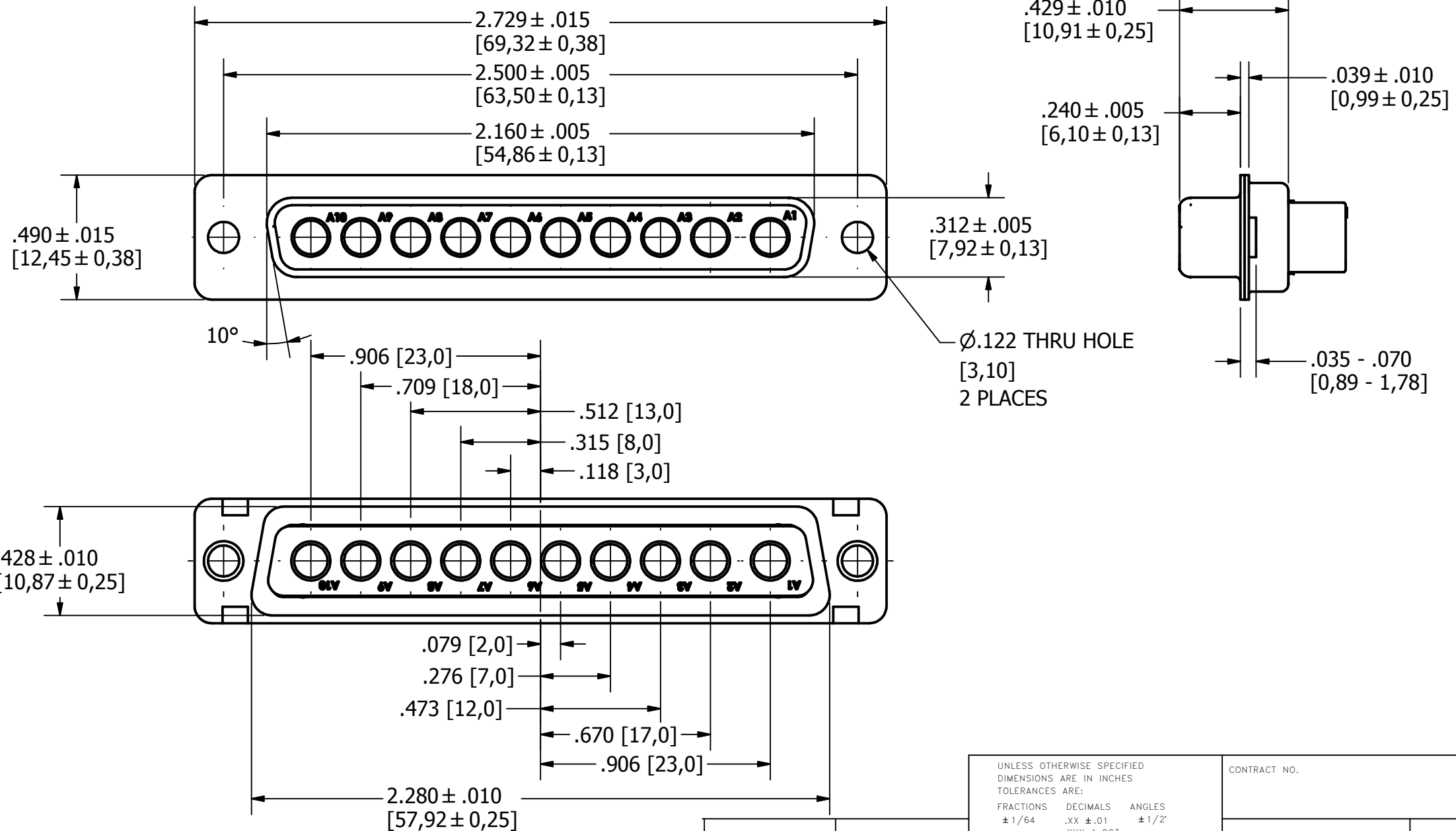
5.) DIMENSIONS ARE FOR REFERENCE ONLY, UNLESS OTHERWISE SPECIFIED.

6.) CONNECTOR MEETS REQUIREMENTS OF MIL-C-24308, LATEST REVISION.

7.) ABOVE REQUIREMENTS DO NOT INCLUDE PDM AND PKZ CONTACTS, PLEASE SEE INDIVIDUAL SPECIFICATION SHEETS.

8.) METRIC DIMENSIONS ARE SHOWN FOR REFERENCE, CONNECTORS ARE DESIGNED IN INCHES.

REV	DESCRIPTION	DATE	APPROVAL
A	ECN#11740 RELEASED FOR PRODUCTION	7/26/2013	



UNLESS OTHERWISE SPECIFIED DIMENSIONS ARE IN INCHES TOLERANCES ARE: FRACTIONS DECIMALS ANGLES ± 1/64 .XX ± .01 ± 1/2° .XXX ± .003		CONTRACT NO.		<i>The PHOENIX Company of Chicago</i> ™	
THE INFORMATION DISCLOSED IN THIS DOCUMENT IS CONFIDENTIAL AND PROPRIETARY TO PHOENIX CO. INC. AND MAY NOT BE USED FOR MANUFACTURE OR ANY OTHER PURPOSE WITHOUT THE WRITTEN CONSENT OF MIL-CON INC.		APPROVALS DRAWN R.M.Bradley CHECKED ISSUED	DATE 4/16/2013		
NEXT ASSEMBLY	USED ON	SIZE B	FSCM NO. 60563	DWG. NO. PTRR10W105	REV. A
APPLICATIONS		DO NOT SCALE DRAWING		SCALE 2 X 1	SHEET 1 OF 1

4

3

2

1

SPECIFICATIONS:
 1.) MATERIALS:
 INSERTS: VALOX, TYPE GPT-30F, PER MIL-M-24519.
 SHELLS: COLD ROLLED STEEL, PER ASTM A568 AND ASTM A620.

2.) FINISHES AND COLOR:
 INSERT: BLACK.
 SHELLS: RoHS COMPLIANT, HIGH RESISTANCE CLEAR CHROMATE OVER ZINC, PER ASTM B633, CLASS FE/ZN12 (.000500 MIN.), SERVICE CONDITION SC3, TYPE III.

3.) ELECTRICAL PROPERTIES:
 DIELECTRIC STRENGTH:
 500 TO 1,000 VOLTS RMS AT SEA LEVEL;
 200 TO 325 VOLTS RMS AT 70,000 FEET.
 INSULATION RESISTANCE: 1 MEGOHM MINIMUM.

4.) MECHANICAL PROPERTIES:
 OPERATING TEMPERATURE: -67° F TO +257° F (-55° C TO +125° C).
 SHOCK RESISTANCE: NO INTERRUPTION OF ELECTRICAL CONTINUITY LONGER THAN 1 MICROSECOND.
 VIBRATION RESISTANCE: NO INTERRUPTION OF ELECTRICAL CONTINUITY LONGER THAN 1 MICROSECOND.

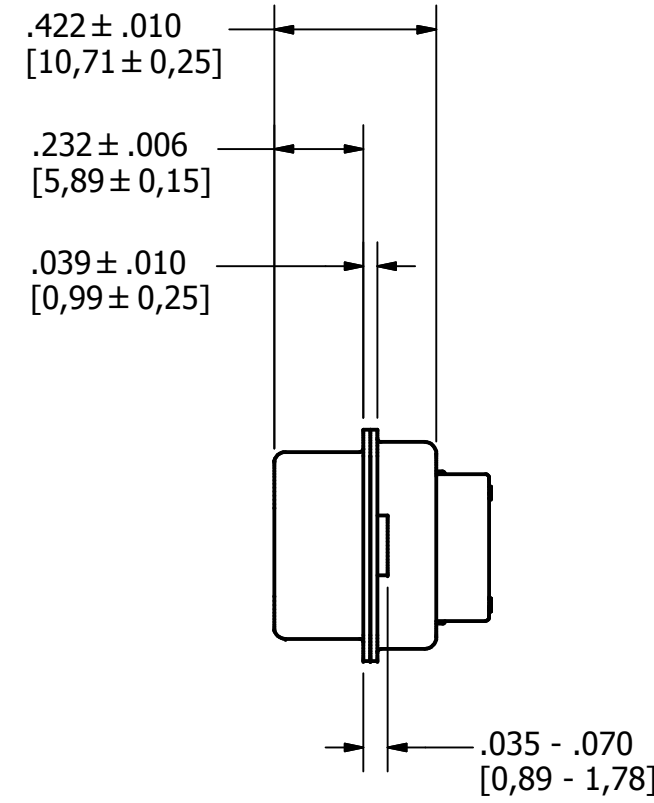
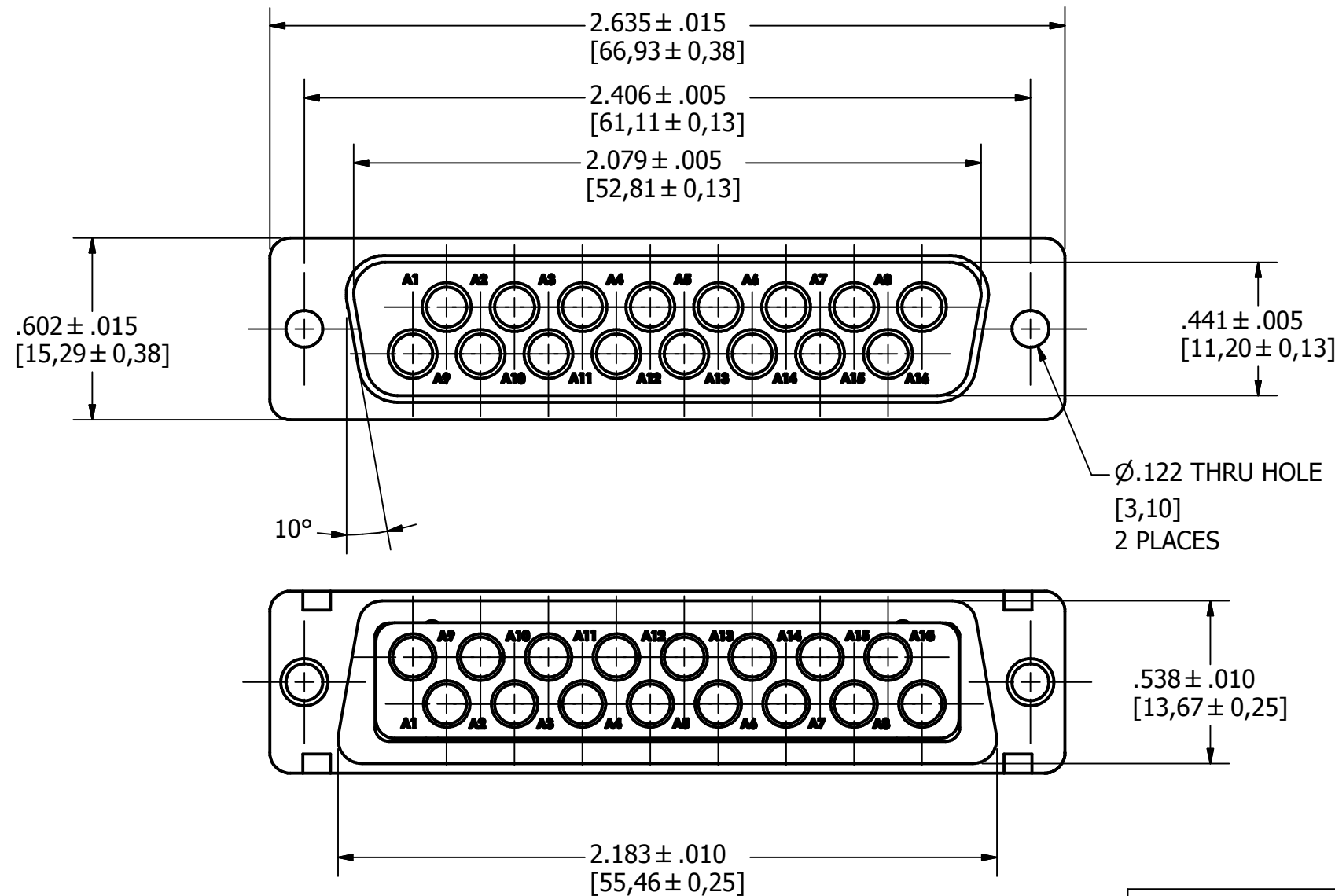
5.) DIMENSIONS ARE FOR REFERENCE ONLY, UNLESS OTHERWISE SPECIFIED.

6.) CONNECTOR MEETS REQUIREMENTS OF MIL-C-24308, LATEST REVISION.

7.) ABOVE REQUIREMENTS DO NOT INCLUDE PDM AND PKZ CONTACTS, PLEASE SEE INDIVIDUAL SPECIFICATION SHEETS.

8.) METRIC DIMENSIONS ARE SHOWN FOR REFERENCE, CONNECTORS ARE DESIGNED IN INCHES.

REV	DESCRIPTION	DATE	APPROVAL
A	ECN#11740 RELEASED FOR PRODUCTION	7/26/2013	



UNLESS OTHERWISE SPECIFIED DIMENSIONS ARE IN INCHES TOLERANCES ARE:
 FRACTIONS DECIMALS ANGLES
 ± 1/64 .XX ± .01 ± 1/2°
 .XXX ± .003

THE INFORMATION DISCLOSED IN THIS DOCUMENT IS CONFIDENTIAL AND PROPRIETARY TO PHOENIX CO. INC. AND MAY NOT BE USED FOR MANUFACTURE OR ANY OTHER PURPOSE WITHOUT THE WRITTEN CONSENT OF MIL-CON INC.

NEXT ASSEMBLY	USED ON
APPLICATIONS	DO NOT SCALE DRAWING

CONTRACT NO.	
APPROVALS	DATE
DRAWN R.M. Bradley	4/19/2013
CHECKED	
ISSUED	

<i>The PHOENIX Company of Chicago™</i>			
HD, D-SUB CONNECTOR, SIZE 12 PTRP16W165, PLUG, CLRCROM / ZINC			
SIZE B	FSCM NO. 60563	DWG. NO. PTRP16W165	REV. A
SCALE 2 X 1		SHEET 1 OF 1	

4

3

2

1

SPECIFICATIONS:

1.) MATERIALS:
 INSERTS: VALOX, TYPE GPT-30F, PER MIL-M-24519.
 SHELLS: COLD ROLLED STEEL, PER ASTM A568 AND ASTM A620.

2.) FINISHES AND COLOR:
 INSERT: BLACK.
 SHELLS: RoHS COMPLIANT, HIGH RESISTANCE CLEAR CHROMATE OVER ZINC, PER ASTM B633, CLASS FE/ZN12 (.000500 MIN.), SERVICE CONDITION SC3, TYPE III.

3.) ELECTRICAL PROPERTIES:
 DIELECTRIC STRENGTH:
 500 TO 1,000 VOLTS RMS AT SEA LEVEL;
 200 TO 325 VOLTS RMS AT 70,000 FEET.
 INSULATION RESISTANCE: 1 MEGOHM MINIMUM.

4.) MECHANICAL PROPERTIES:
 OPERATING TEMPERATURE: -67° F TO +257° F (-55° C TO +125° C).
 SHOCK RESISTANCE: NO INTERRUPTION OF ELECTRICAL CONTINUITY LONGER THAN 1 MICROSECOND.
 VIBRATION RESISTANCE: NO INTERRUPTION OF ELECTRICAL CONTINUITY LONGER THAN 1 MICROSECOND.

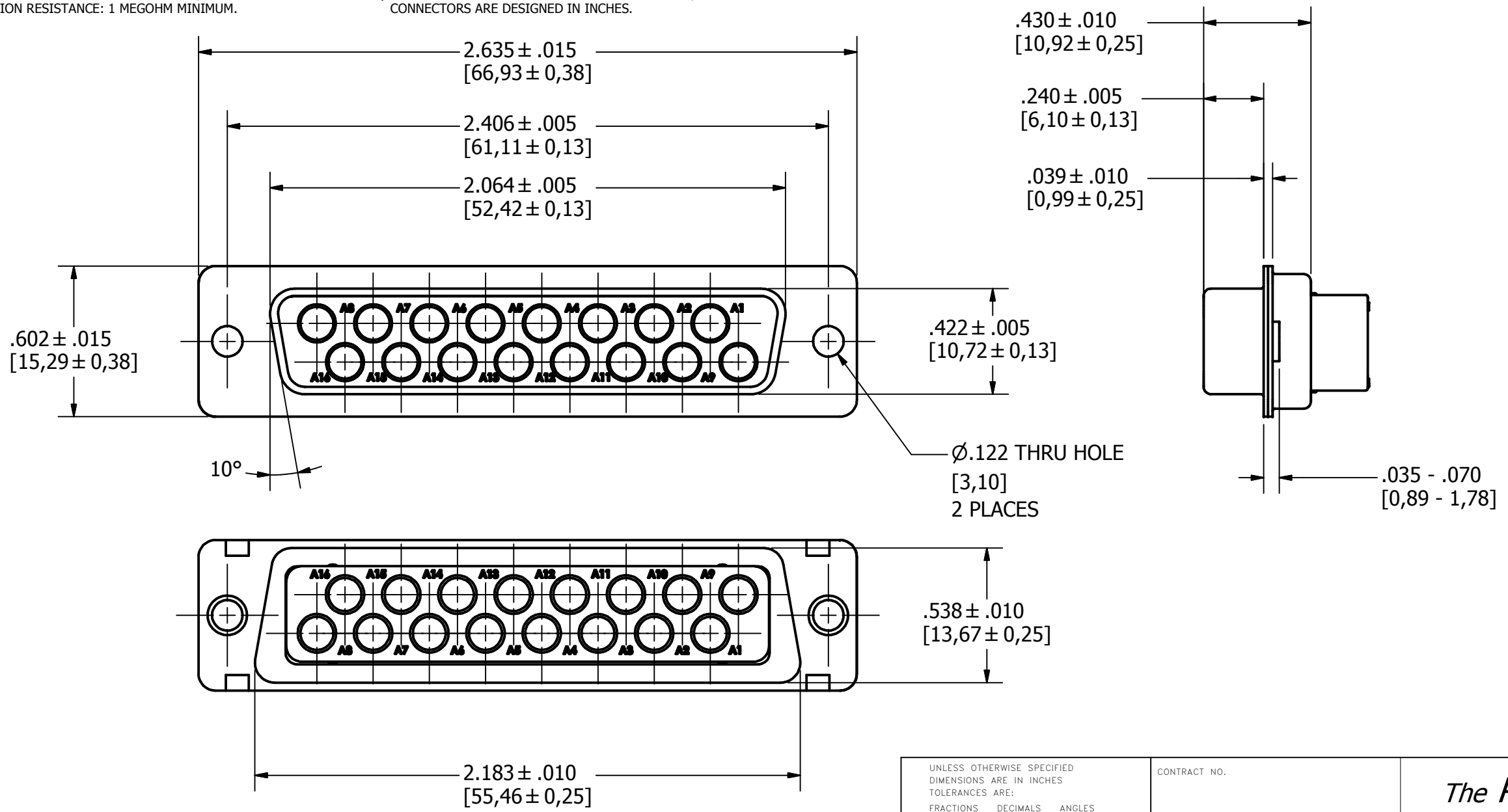
5.) DIMENSIONS ARE FOR REFERENCE ONLY, UNLESS OTHERWISE SPECIFIED.

6.) CONNECTOR MEETS REQUIREMENTS OF MIL-C-24308, LATEST REVISION.

7.) ABOVE REQUIREMENTS DO NOT INCLUDE PDM AND PKZ CONTACTS, PLEASE SEE INDIVIDUAL SPECIFICATION SHEETS.

8.) METRIC DIMENSIONS ARE SHOWN FOR REFERENCE, CONNECTORS ARE DESIGNED IN INCHES.

REV	DESCRIPTION	DATE	APPROVAL
A	ECN#11740 RELEASED FOR PRODUCTION	7/26/2013	



NEXT ASSEMBLY	USED ON
APPLICATIONS	

UNLESS OTHERWISE SPECIFIED DIMENSIONS ARE IN INCHES TOLERANCES ARE: FRACTIONS DECIMALS ANGLES ± 1/64 .XX ± .01 ± 1/2° .XXX ± .003		CONTRACT NO.
THE INFORMATION DISCLOSED IN THIS DOCUMENT IS CONFIDENTIAL AND PROPRIETARY TO PHOENIX CO. INC. AND MAY NOT BE USED FOR MANUFACTURE OR ANY OTHER PURPOSE WITHOUT THE WRITTEN CONSENT OF MIL-CON INC.		APPROVALS DRAWN: R.M. Bradley CHECKED: ISSUED:
DO NOT SCALE DRAWING		DATE 4/19/2013

<i>The PHOENIX Company of Chicago™</i>			
HD, D-SUB CONNECTOR, SIZE 12 PTRR16W165, RECEPTACLE, CLRCROM / ZINC			
SIZE B	FSCM NO. 60563	DWG. NO. PTRR16W165	REV. A
SCALE 2 X 1		SHEET 1 OF 1	

4

3

2

1