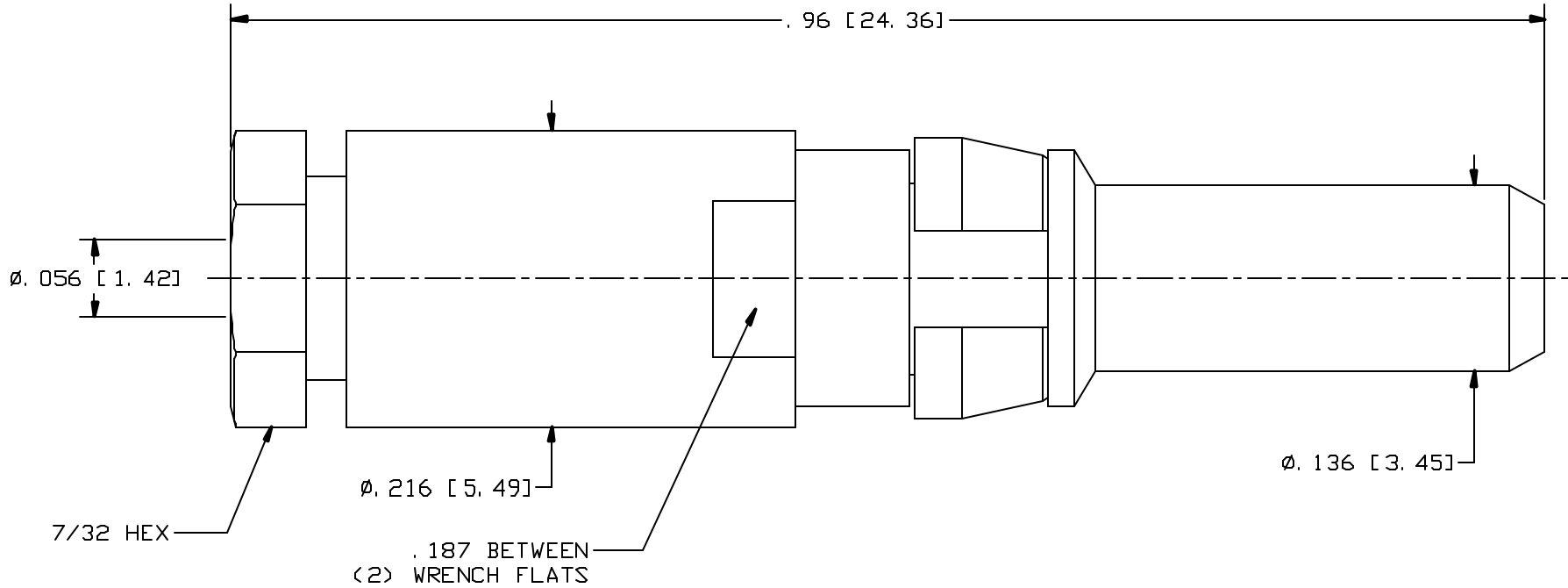


CAD DRAWING - NO MANUAL REVISIONS



NOTES:

1. DESIGN AND INTERFACE PER I. D. S. -62.
2. ACCOMMODATES RG-178 AND SIMILAR CABLES.
3. CONTACT ASSY, WEDGE, AND CLAMP NUT ARE SHIPPED LOOSE.
4. "J" PLATING - TEST TO 20 GAMMA MAX.

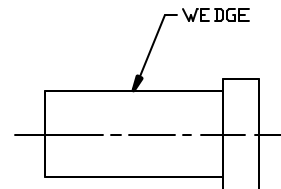
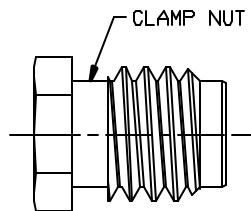
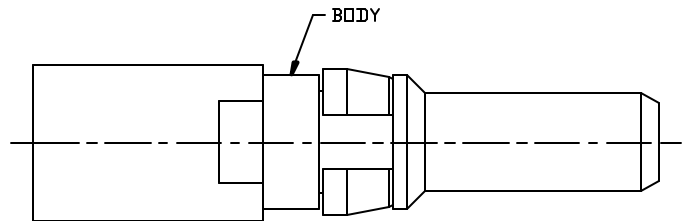
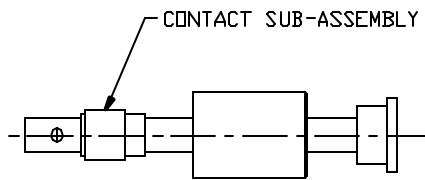
				<p><b>PALCO CONNECTOR</b></p> <p>22 GREAT HILL RD., NAUGATUCK, CT 06770</p> <p>UNLESS OTHERWISE SPECIFIED, PALCO WORKMANSHIP STANDARDS APPLY</p> <p>TOLERANCES ON: DECIMALS: XX ±.01 .XXX ±.005 ANGLES ±1/2° 32'</p> <p>DIMENSIONS IN INCHES OR (METRIC) DO NOT SCALE PRINTS</p> <p>CATALOG ITEM</p>	DRAWN MS	CHECKED JEM	ENGINEER MS	APPROVED JEM	FSCM 58167
B	PER ECN 11611	03/13/13	JEM			DESCRIPTION SIZE 8 PkZ, HMC PLUG, SOLDER/CLAMP			
A	PER ECN 11597	02/21/13	JEM			DATE 08/24/12	DRAWING NO. 62-0302-0400	PLATING OPT. J	
O1	PRELIMINARY	08/24/12	JEM						
REV.	DESCRIPTION	DATE	APPR.						

CABLE ASSEMBLY PROCEDURE	
P/N	62-0302-0400
PAGE 1 OF 1	DATE: 08/24/12
DRAWN: MS	APPROVED: JEM
FOR USE WITH RG-178 CABLE	

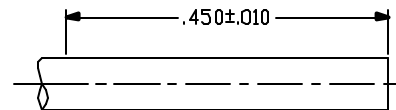
**PALEO**  
**CONNECTOR**

22 GREAT HILL ROAD, NAUGATUCK, CT. 06770  
PHONE: (203) 729-9090 FAX: (203) 723-1794

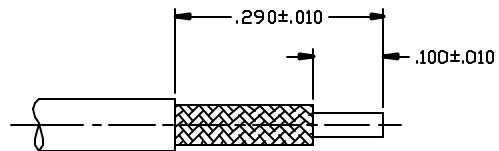
REV	DESCRIPTION	DATE	APPR
01	PRELIMINARY	08/24/12	JEM
A	PER ECN 11597	02/21/13	JEM
B	PER ECN 11611	03/13/13	JEM



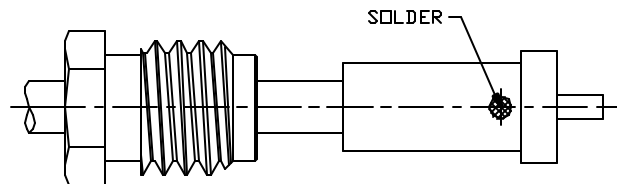
STEP 1.  
FLUX END OF CABLE. TIN DIP CABLE INTO 500°F ±25°F SOLDER POT FOR SIX SECONDS MAX.



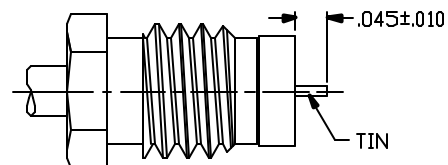
STEP 2  
TRIM CABLE TO DIMENSIONS SHOWN.



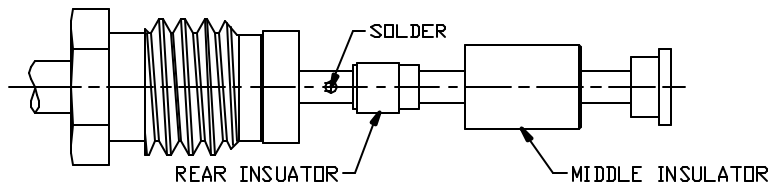
STEP 3.  
SLIDE CLAMP NUT OVER CABLE. SLIDE WEDGE OVER CABLE UNTIL CABLE BUTTS AGAINST INSIDE SHOULDER. SOLDER IN PLACE AS SHOWN. ALLOW TO COOL BEFORE MOVING ON TO NEXT STEP.



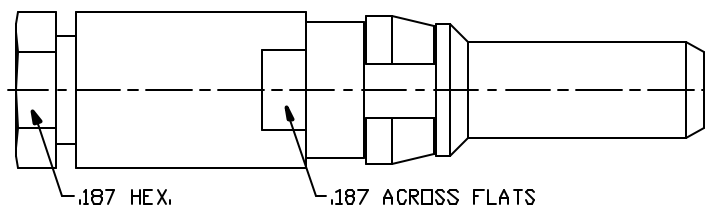
STEP 4.  
TRIM DIELECTRIC FLUSH WITH WEDGE TO EXPOSE CENTER CONDUCTOR. DO NOT NICK CENTER CONDUCTOR. TRIM CENTER CONDUCTOR TO DIMENSION SHOWN. TIN CENTER CONDUCTOR.



STEP 5.  
SOLDER CONTACT SUB ASSEMBLY TO CENTER CONDUCTOR. CENTER CONDUCTOR MUST BUTT DIELECTRIC. SLIDE MIDDLE INSULATOR OVER REAR INSULATOR COVERING SOLDER JOINT.



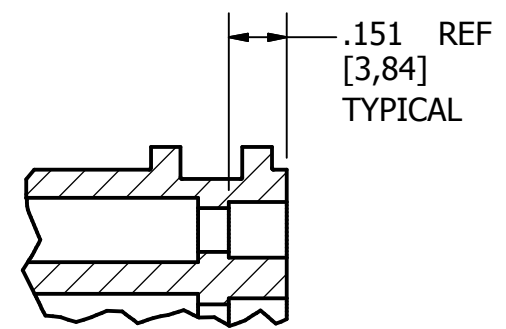
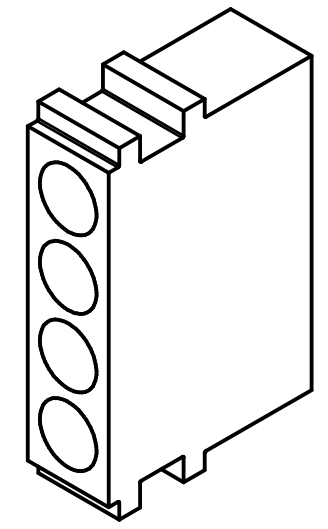
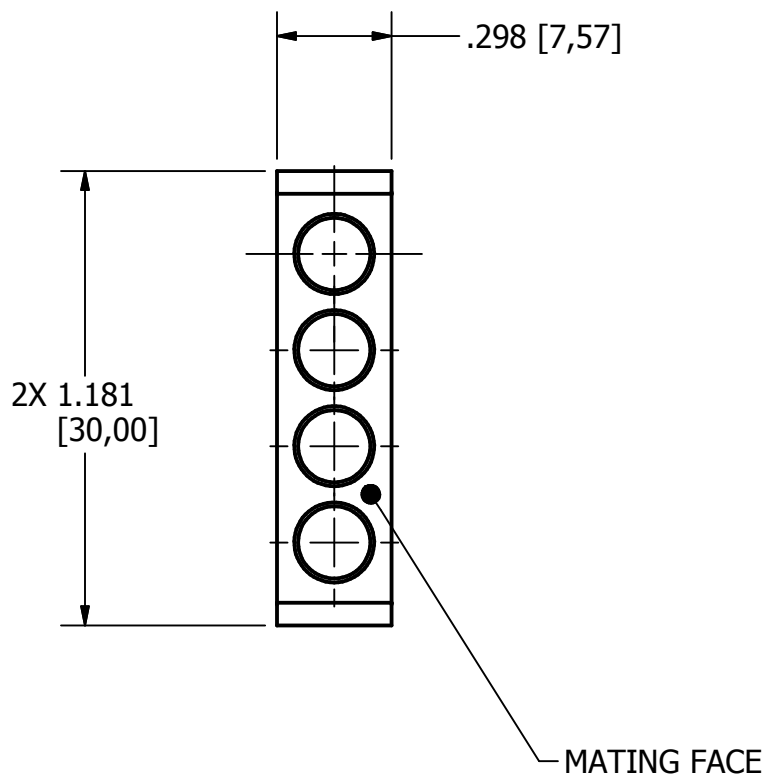
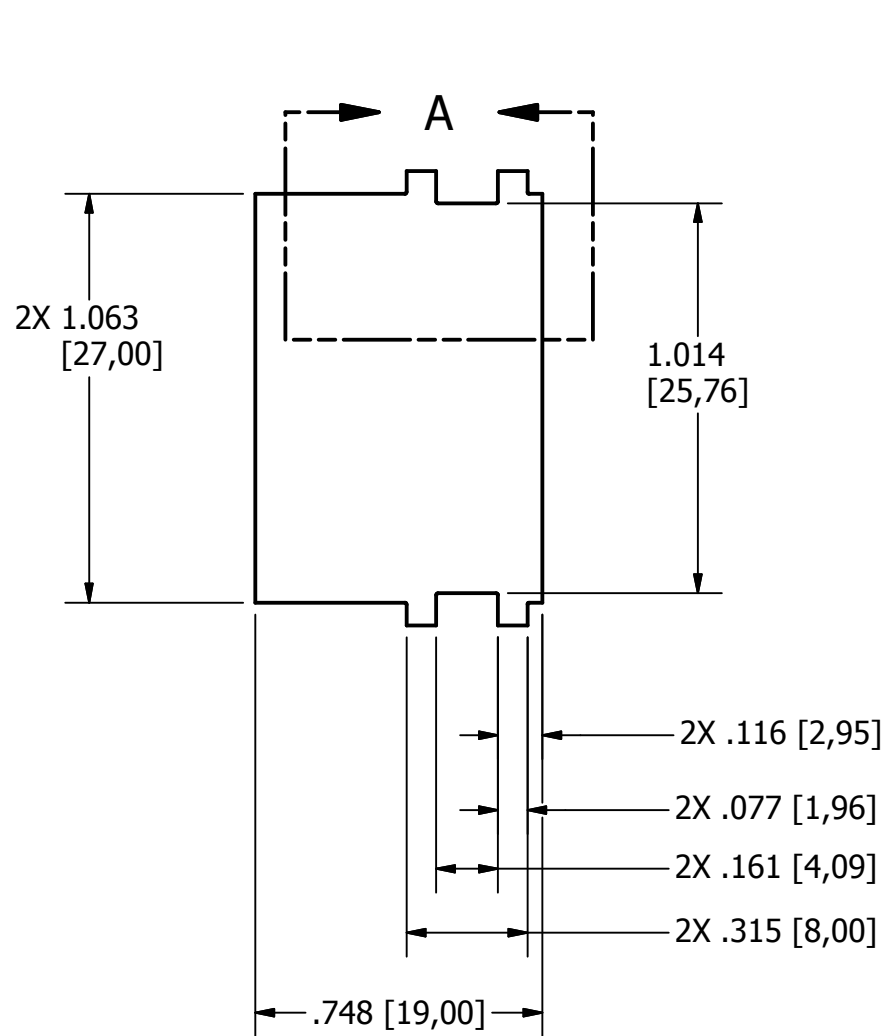
STEP 6.  
INSERT CABLE ASSEMBLY INTO BODY OF CONNECTOR AND TIGHTEN CLAMP NUT TO 90-100 IN-OZS.



NOTES:

- 1) MATERIAL: ACETAL COPOLYMER
- 2) COLOR: NATURAL / WHITE.
- 3) REQUIREMENTS DO NOT INCLUDE RF CONTACTS, SEE INDIVIDUAL SPECIFICATION SHEETS.
- 4) UNLESS OTHERWISE SPECIFIED, DIMENSION ARE FOR REFERENCE ONLY

REVISIONS			
REV	DESCRIPTION	DATE	APPROVED
A	ECN# 11774 RELEASED FOR PRODUCTION	9/30/2013	



CONTACT RETENTION  
FEATURE LOCATION  
SCALE: 2 : 1

~~UNLESS OTHERWISE SPECIFIED  
DIMENSIONS ARE IN INCHES  
TOLERANCES ARE:  
FRACTIONS DECIMALS ANGLES  
± 1/64 ± .01 ± 1/2°  
± .003 ± .003~~

THE INFORMATION DISCLOSED IN  
THIS DOCUMENT IS CONFIDENTIAL  
AND PROPRIETARY TO PHOENIX CO.  
INC. AND MAY NOT BE USED FOR  
MANUFACTURE OR ANY OTHER  
PURPOSE WITHOUT THE WRITTEN  
CONSENT OF MIL-CON INC.

NEXT ASSEMBLY	USED ON

CONTRACT NO.	
APPROVALS	DATE
DRAWN <b>R.M.Bradley</b>	8/8/2013
CHECKED	
ISSUED	

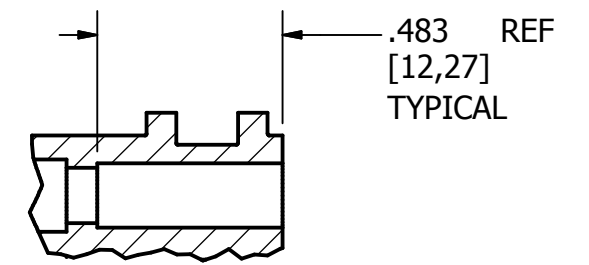
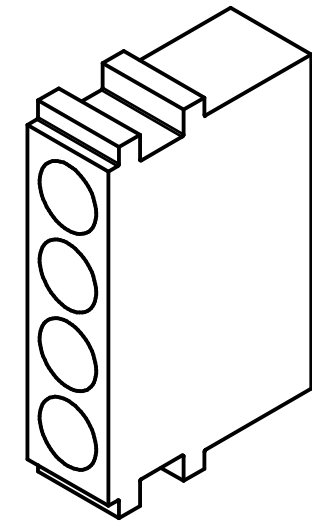
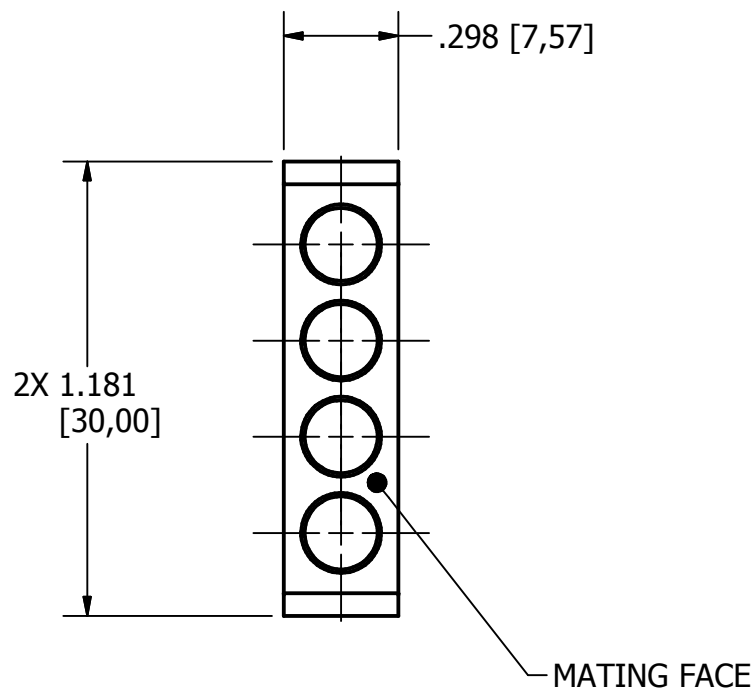
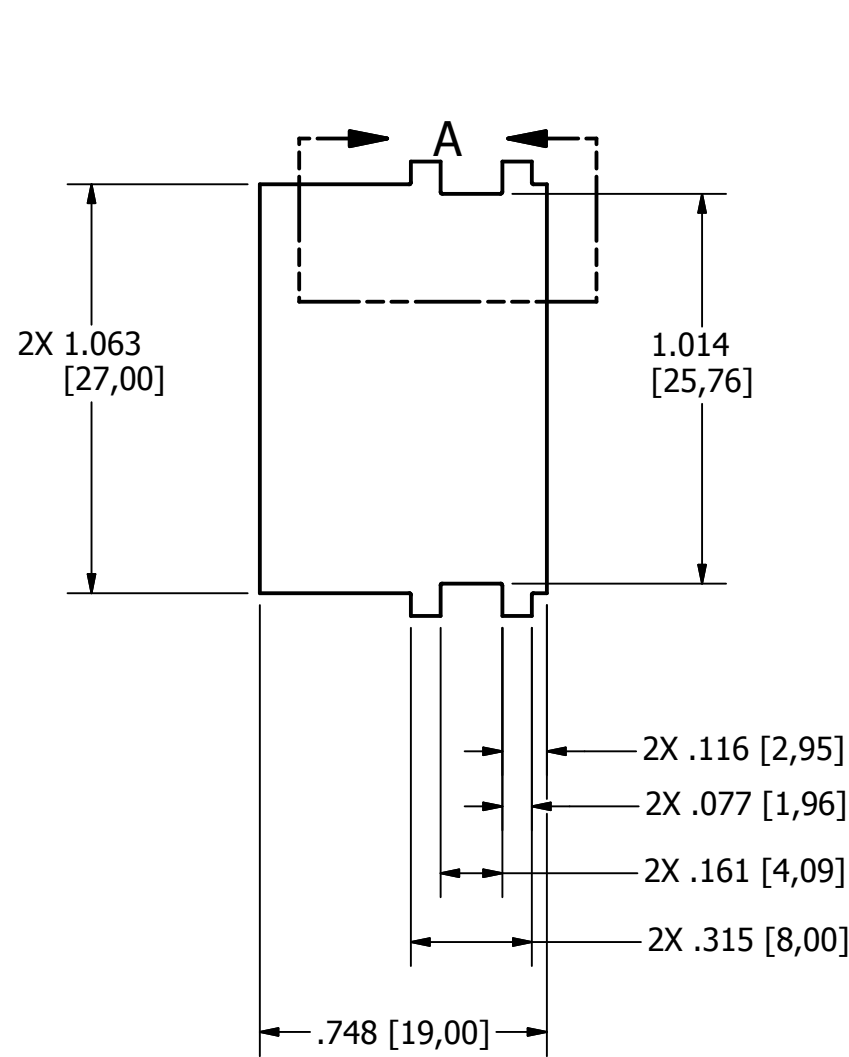
<i>The PHOENIX Company of Chicago™</i>			
<b>HOUSING, 4 POSITION, SIZE 8 PLUG, MODULAR RAIL TYPE, MACHINED</b>			
SIZE <b>B</b>	FSCM NO. <b>60563</b>	DWG. NO. <b>PMC4W4P</b>	REV. <b>A</b>

APPLICATIONS	DO NOT SCALE DRAWING	SCALE <b>2 X 1</b>	SHEET <b>1</b> OF <b>1</b>
--------------	----------------------	--------------------	----------------------------

NOTES:

- 1) MATERIAL: ACETAL COPOLYMER
- 2) COLOR: NATURAL / WHITE.
- 3) REQUIREMENTS DO NOT INCLUDE RF CONTACTS, SEE INDIVIDUAL SPECIFICATION SHEETS.
- 4) UNLESS OTHERWISE SPECIFIED, DIMENSION ARE FOR REFERENCE ONLY

REVISIONS			
REV	DESCRIPTION	DATE	APPROVED
A	ECN# 11774 RELEASED FOR PRODUCTION	9/30/2013	



CONTACT RETENTION  
FEATURE LOCATION  
SCALE: 2 : 1

UNLESS OTHERWISE SPECIFIED  
DIMENSIONS ARE IN INCHES  
TOLERANCES ARE:  
FRACTIONS DECIMALS ANGLES  
±1/64 ±.01 ±1/2°  
±.003 ±.003

THE INFORMATION DISCLOSED IN  
THIS DOCUMENT IS CONFIDENTIAL  
AND PROPRIETARY TO PHOENIX CO.  
INC. AND MAY NOT BE USED FOR  
MANUFACTURE OR ANY OTHER  
PURPOSE WITHOUT THE WRITTEN  
CONSENT OF MIL-CON INC.

NEXT ASSEMBLY	USED ON

CONTRACT NO.	
APPROVALS	DATE
DRAWN R.M.Bradley	8/8/2013
CHECKED	
ISSUED	

<i>The PHOENIX Company of Chicago™</i>			
<b>HOUSING, 4 POSITION, SIZE 8 RECEPTACLE, MODULAR RAIL TYPE, MACHINED</b>			
SIZE B	FSCM NO. 60563	DWG. NO. PMC4W4R	REV. A

INTERFACE DESIGN STANDARD

IDS-62J

PAGE 1 OF 1

DATE: 02/27/13

DRAWN: JEM

APPROVED: JEM



22 GREAT HILL ROAD, NAUGATUCK, CT. 06770  
 PHONE: (203) 729-9090 FAX: (203) 723-1794

REV	DESCRIPTION	DATE	APPR
A	REL. ECN 11658	05/07/13	JEM
B	PER ECN 11688	06/05/13	JEM
C	PER ECN 11750	08/13/12	JEM

DESCRIPTION: 62J SERIES, SIZE 8 PKZ,<sup>®</sup> HIGH MATING CYCLE  
 NON-MAGNETIC PER BS EN 122340.

MECHANICAL

MATERIALS:

PLUG AND RECEPTACLE BODIES, FERRULES AND CAPS - NON-MAGNETIC BRASS.  
 CENTER AND OUTER CONTACTS - BERYLLIUM COPPER PER ASTM-B-197 or NON-MAGNETIC BRASS.  
 CLIP RING - BERYLLIUM COPPER PER ASTM-B-196.  
 INSULATORS - VIRGIN TEFLON (PTFE) PER ASTM D 1710

FINISHES (ADD LETTER 'J' TO END OF PART NUMBER)

GOLD PER MIL-G-45204.  
 CONTACTS - .000050 MIN. GOLD.  
 BODIES - .000050 MIN. GOLD.  
 CLIP RINGS: UNPLATED.  
 OTHER METAL PARTS: GOLD PLATED TO MEET  
 THE ENVIRONMENTAL REQUIREMENTS.  
 RESIDUAL MAGNETISM 20 GAMMA MAX.  
 CONFORMS TO BS EN 122340 STANDARDS.

MATING CHARACTERISTICS

INSERTION ————— 1.0 LBS MAXIMUM  
 0.5 LBS NOMINAL  
 WITHDRAWAL ————— 1.5 OZ. MINIMUM  
 4.0 OZ. NOMINAL  
 HOUSING RETENTION ————— 12 LBS. MIN.  
 AXIAL MATING TOLERANCE — .090" MAX.

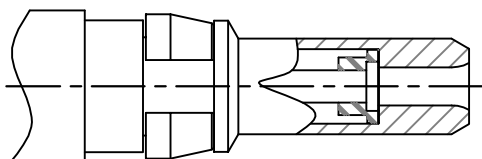
ELECTRICALS

FREQUENCY RANGE: DC TO 6 GHz.  
 (CONFIGURATION DEPENDENT)  
 VOLTAGE RATING STRAIGHT: 1000 VRMS.  
 VOLTAGE RATING ANGLED: 800 VRMS.  
 CURRENT RATING: 5 AMPS.  
 INSULATION RESISTANCE: 2000 MEGOHMS MIN.  
 INSERTION LOSS: .4 f(GHz) dB

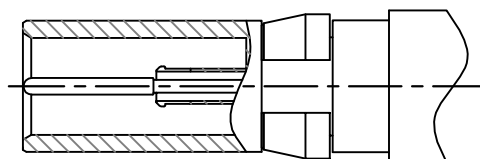
CONTACT RESISTANCE: CENTER CONTACT 5 MILLIOHMS  
 CONTACT RESISTANCE: OUTER CONTACT 3 MILLIOHMS  
 VSWR:  
 1.10 + .01 (f) GHz., RG-405 CABLE (To 6 GHz).  
 1.15 + .02 (f) GHz., RG-316 CABLE (To 1.5 GHz).  
 1.15 + .03 (f) GHz., RG-178 CABLE (To 1.5 GHz).

ENVIRONMENTAL

OPERATING TEMPERATURE: -55°C to +125°C (-67°F - 257°F)  
 VIBRATION: MIL-STD-202, METHOD 204, TEST CONDITION D.  
 SHOCK: MIL-STD-202, METHOD 213, TEST CONDITION I.  
 SALT SPRAY: MIL-STD-1344, METHOD 1001, CONDITION B.  
 DURABILITY: 60,000 CYCLES MIN.  
 THERMAL SHOCK: MEL-STD-202, METHOD 107, TEST  
 CONDITION B, EXCEPT HIGH TEMPERATURE SHALL  
 BE +85°C.  
 MOISTURE RESISTANCE: MIL-STD-202, METHOD 106.  
 NO MEASUREMENT AT HIGH HUMIDITY. INSULATION  
 RESISTANCE 2000 MEGOHMS AFTER HUMIDITY.



PLUG



RECEPTACLE