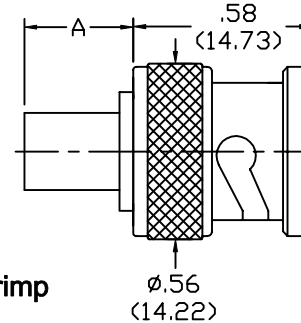


REV	DESCRIPTION	DATE	APPR
01	PRELIMINARY	10/24/07	HN

## NON-MAGNETIC CONNECTORS BNC 33 SERIES - DIRECT CRIMP

Part Number	A DIA.	Cable
40-0900-0670J	.38 (9.52)	RG174, 179, 187, 188, 316
40-0900-1201J	.50 (12.70)	RG55, 142, 223, 400
40-0900-2670J	.50 (12.70)	RG316 D.S. (M17/152)

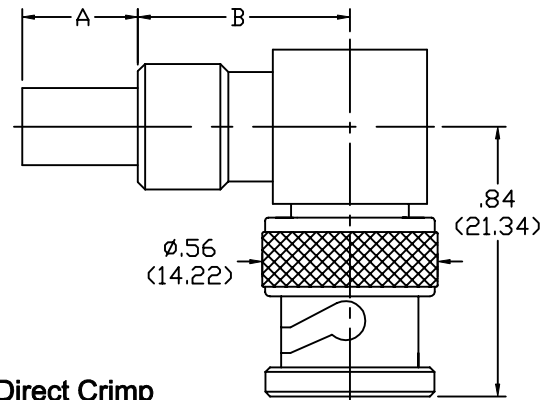
### Straight Plug



### Direct Crimp

Part Number	A DIA.	B DIA.	Cable
40-2900-0670J	.38 (9.52)	.69 (17.53)	RG174, 179, 187, 188, 316
40-2900-1201J	.50 (12.70)	.96 (24.38)	RG55, 142, 223, 400
40-2900-2670J	.50 (12.70)	.96 (24.38)	RG316 D.S. (M17/152)

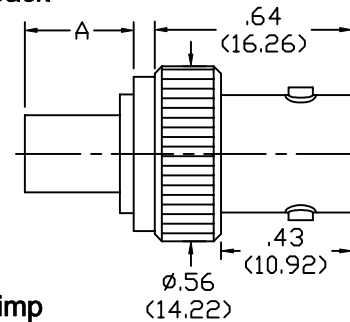
### Right Angle Plug



### Direct Crimp

Part Number	A DIA.	Cable
40-1900-0670J	.38 (9.52)	RG174, 179, 187, 188, 316
40-1900-1201J	.50 (12.70)	RG55, 142, 223, 400
40-1900-2670J	.50 (12.70)	RG316 D.S. (M17/152)

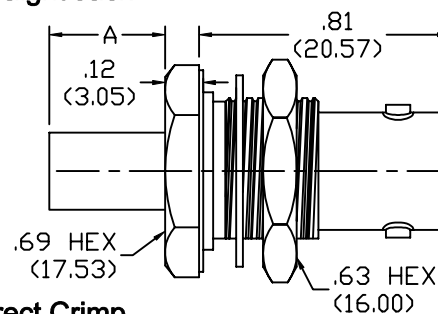
### Straight Jack



### Direct Crimp

Part Number	A DIA.	Cable
40-1915-0670J	.38 (9.52)	RG174, 179, 187, 188, 316
40-1915-1201J	.50 (12.70)	RG55, 142, 223, 400
40-1915-2670J	.50 (12.70)	RG316 D.S. (M17/152)

### Straight Jack



### Direct Crimp