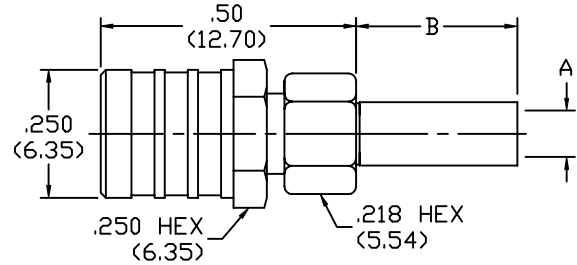


REV	DESCRIPTION	DATE	APPR
01	PRELIMINARY	10/19/07	HN

## NON-MAGNETIC CONNECTORS SMB 09 SERIES - CRIMP/CLAMP & CRIMP

Part Number	A DIA.	B DIA.	Cable
09-0800-0400J	Ø .040 (1.02)	Ø .31 (7.87)	RG178, 196, 404
09-0800-0670J	Ø .067 (1.70)	Ø .38 (9.65)	RG188, 316, 187, 174, 179
09-0800-2670J	Ø .067 (1.70)	Ø .38 (9.65)	RG316 D.S. (M17/152)

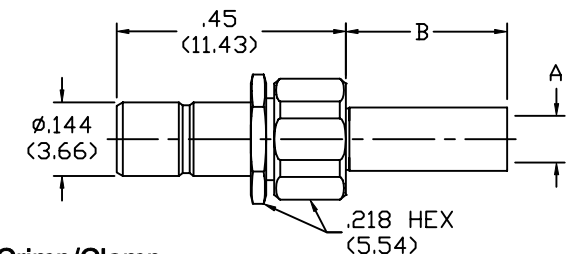
### Straight Plug



### Crimp/Clamp

Part Number	A DIA.	B DIA.	Cable
09-1800-0400J	Ø .040 (1.02)	Ø .31 (7.87)	RG178, 196, 404
09-1800-0670J	Ø .067 (1.70)	Ø .38 (9.65)	RG188, 316, 187, 174, 179
09-1800-2670J	Ø .067 (1.70)	Ø .38 (9.65)	RG316 D.S. (M17/152)

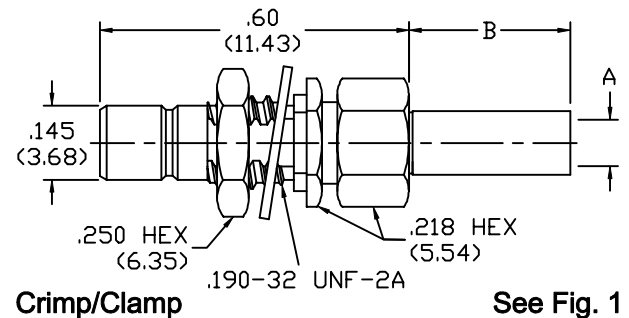
### Straight Jack



### Crimp/Clamp

Part Number	A DIA.	B DIA.	Cable
09-1880-0400J	Ø .040 (1.02)	Ø .31 (7.87)	RG178, 196, 404
09-1880-0670J	Ø .067 (1.70)	Ø .38 (9.65)	RG188, 316, 187, 174, 179
09-1880-2670J	Ø .067 (1.70)	Ø .38 (9.65)	RG316 D.S. (M17/152)

### Straight Jack Bulkhead

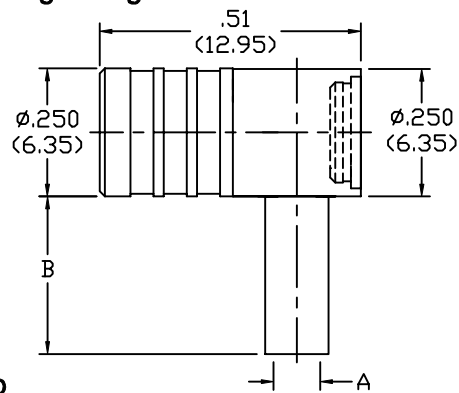


### Crimp/Clamp

See Fig. 1

Part Number	A DIA.	B DIA.	Cable
09-2880-0400J	Ø .040 (1.02)	Ø .31 (7.87)	RG178, 196, 404
09-2880-0670J	Ø .067 (1.70)	Ø .38 (9.65)	RG188, 316, 187, 174, 179
09-2880-2670J	Ø .067 (1.70)	Ø .38 (9.65)	RG316 D.S. (M17/152)

### Right Angle Plug



### Crimp

REV	DESCRIPTION	DATE	APPR
01	PRELIMINARY	10/22/07	HN

## NON-MAGNETIC CONNECTORS SMB 09 SERIES - SOLDER/CLAMP & SOLDER

Part Number	A DIA.	Cable	Straight Plug
09-0300-0860J	Ø .092 (2.34)	RG405-M17/133 (.086 S.R.)	<p>Solder/Clamp</p>

Part Number	A DIA.	Cable	Straight Jack
09-1300-0860J	Ø .092 (2.34)	RG405-M17/133 (.086 S.R.)	<p>Solder/Clamp</p>

Part Number	A DIA.	Cable	Straight Jack Bulkhead
09-1380-0860J	Ø .092 (2.34)	RG405-M17/133 (.086 S.R.)	<p>Solder/Clamp <b>See Fig. 1</b></p>

Part Number	A DIA.	Cable	Right Angle Plug
09-2200-0860J	Ø .092 (2.34)	RG405-M17/133 (.086 S.R.)	<p>Solder</p>

REV	DESCRIPTION	DATE	APPR
01	PRELIMINARY	10/23/07	HN

## NON-MAGNETIC CONNECTORS SMB 09 SERIES - PC MOUNT

<b>Part Number</b>	<b>Straight Plug</b> 
<b>09-0450-00J</b>	

<b>Part Number</b>	<b>Straight Jack</b> 
<b>09-1450-00J</b>	

<b>Part Number</b>	<b>Right Angle Jack</b> 
<b>09-3450-00J</b>	

### 09 Series Panel Mount D Hole And PC Mount Layout

<p><b>See Fig. 1</b></p> <p><b>Note: .125 (3.2) Max Panel Thickness.</b></p>	<p><b>See Fig. 2</b></p>
--	--------------------------