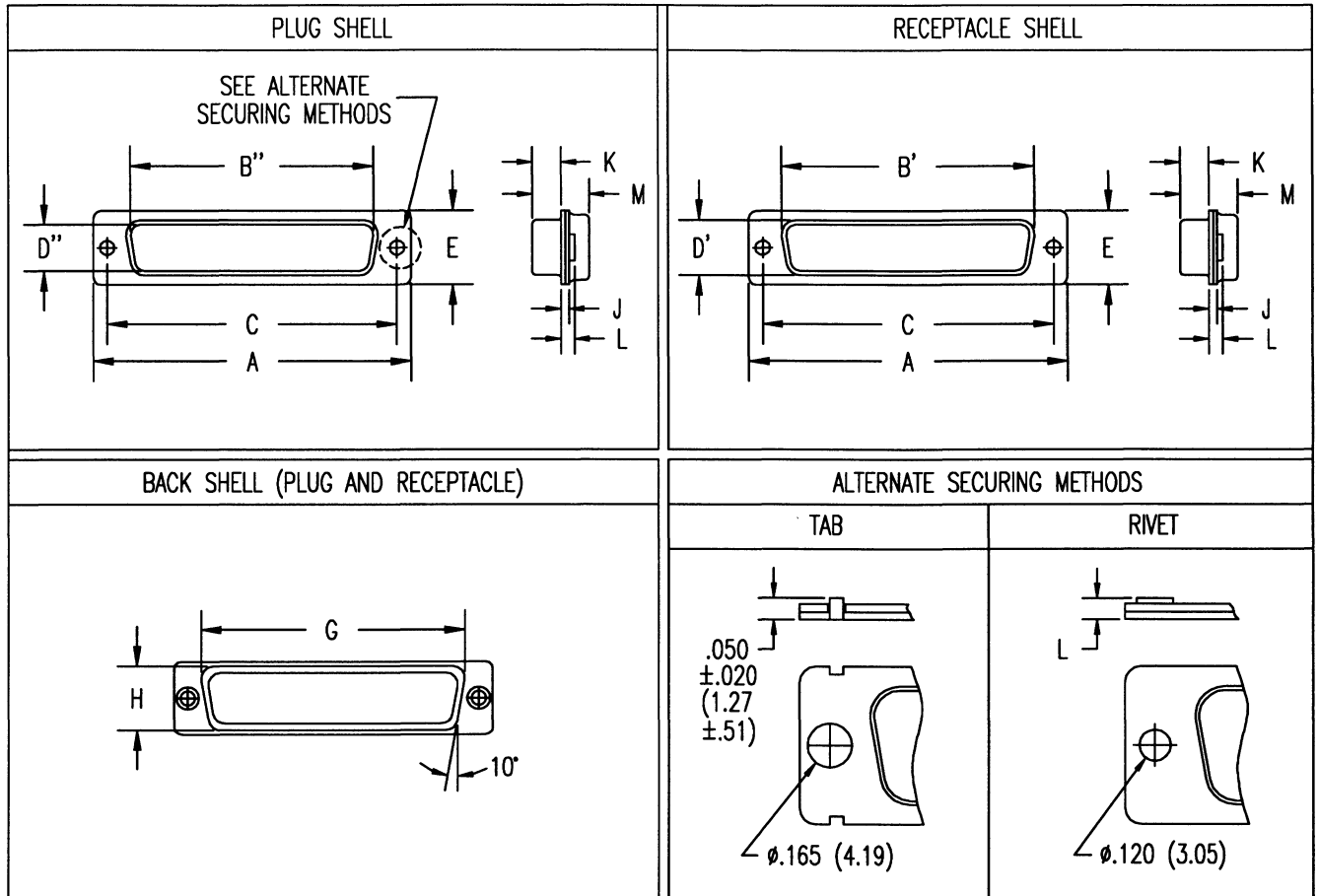


SHELL DIMENSIONS



Shell Size	Gender	A ±.015 (±.38)	B' ±.005 (±.13)	B'' ±.005 (±.13)	C ±.005 (±.13)	D' ±.005 (±.13)	D'' ±.005 (±.13)	E ±.015 (±.38)	G ±.010 (±.25)	H ±.010 (±.25)	J ±.010 (±.25)	K	L	M ±.010 (±.25)
E	P	1.213 (30.81)	—	.666 (16.92)	.984 (24.99)	—	.329 (8.36)	.494 (12.55)	.759 (19.28)	.422 (10.72)	.030 (.76)	.229/.238 (5.82/6.05)	.035/.060 (.89/1.52)	.422 (10.72)
E	R	1.213 (30.81)	.643 (16.33)	—	.984 (24.99)	.311 (7.90)	—	.494 (12.55)	.759 (19.28)	.422 (10.72)	.030 (.76)	.238/.248 (6.05/6.30)	.035/.060 (.89/1.52)	.429 (10.90)
A	P	1.541 (39.14)	—	.994 (25.25)	1.312 (33.32)	—	.329 (8.36)	.494 (12.55)	1.083 (27.51)	.422 (10.72)	.030 (.76)	.229/.238 (5.82/6.05)	.035/.060 (.89/1.52)	.422 (10.72)
A	R	1.541 (39.14)	.971 (24.66)	—	1.312 (33.32)	.311 (7.90)	—	.494 (12.55)	1.083 (27.51)	.422 (10.72)	.030 (.76)	.238/.248 (6.05/6.30)	.035/.060 (.89/1.52)	.429 (10.90)
B	P	2.088 (53.04)	—	1.534 (38.96)	1.852 (47.04)	—	.329 (8.36)	.494 (12.55)	1.625 (41.28)	.422 (10.72)	.039 (.99)	.224/.236 (5.69/5.99)	.050/.070 (1.27/1.78)	.426 (10.82)
B	R	2.088 (53.04)	1.511 (38.38)	—	1.852 (47.04)	.311 (7.90)	—	.494 (12.55)	1.625 (41.28)	.422 (10.72)	.030 (.76)	.238/.248 (6.05/6.30)	.035/.060 (.89/1.52)	.429 (10.90)
C	P	2.729 (69.32)	—	2.182 (55.42)	2.500 (63.50)	—	.329 (8.36)	.494 (12.55)	2.272 (57.71)	.422 (10.72)	.039 (.99)	.224/.236 (5.69/5.99)	.050/.070 (1.27/1.78)	.426 (10.82)
C	R	2.729 (69.32)	2.159 (54.84)	—	2.500 (63.50)	.311 (7.90)	—	.494 (12.55)	2.272 (57.71)	.422 (10.72)	.030 (.76)	.238/.248 (6.05/6.30)	.035/.060 (.89/1.52)	.429 (10.90)
D	P	2.635 (66.93)	—	2.079 (52.81)	2.406 (61.11)	—	.441 (11.20)	.605 (15.37)	2.178 (55.32)	.534 (13.56)	.039 (.99)	.224/.236 (5.69/5.99)	.050/.070 (1.27/1.78)	.426 (10.82)
D	R	2.635 (66.93)	2.064 (52.43)	—	2.406 (61.11)	.423 (10.74)	—	.605 (15.37)	2.178 (55.32)	.534 (13.56)	.030 (.76)	.238/.248 (6.05/6.30)	.035/.060 (.89/1.52)	.429 (10.90)

Gender: P: Plug (Pin Signal Contacts) R: Receptacle (Socket Signal Contacts)



THE PHOENIX COMPANY
of CHICAGO, INC.

Dimensions are subject to change without notice.

555 Pond Drive ■ Wood Dale, IL 60191-1192 ■ Toll Free (800)323-9562