
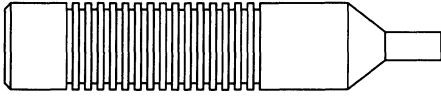

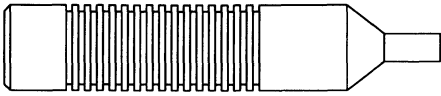


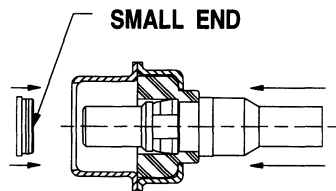
STABILIZING RINGS

A stabilizing ring is used to reduce the radial play or misalignment of a plug within a male housing. Palco Connector manufactures two stabilizing ring options machined to exacting tolerances, accommodating the PDM, PDM (50 Ohm), PDM (75 Ohm) and PkZ, or PDM (High Power), D-subminiature series. Palco stabilizing rings can also be used with other industry standard, size-8 contacts in D-Subminiature combination housings.

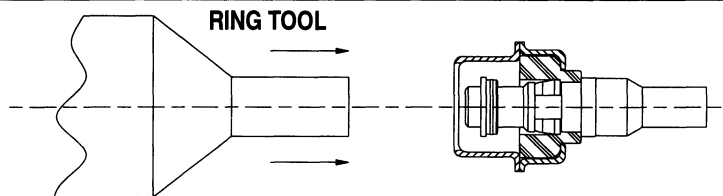
<p>STABILIZING RING 15-03010</p>	<p>TOOL: TO626</p>
<p style="text-align: center;"></p> <p style="text-align: center;">For use with 15, 16, 24, 26 Series Standard Connectors Material: Delrin 150 Color: Natural</p>	<p style="text-align: center;"></p> <p style="text-align: center;">For use with part number 15-03010</p>
<p>STABILIZING RING 15-03012</p>	<p>TOOL: TO627</p>
<p style="text-align: center;"></p> <p style="text-align: center;">For use with 15 Series High Power Connectors Material: Delrin 150 Color: Black</p>	<p style="text-align: center;"></p> <p style="text-align: center;">For use with part number 15-03012</p>

INSTALLATION PROCEDURE

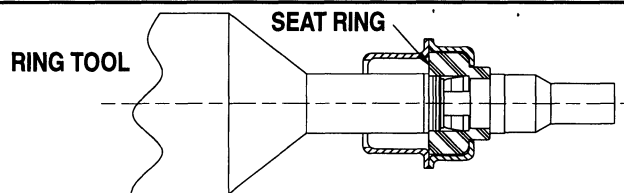
STEP 1: Install ring with small end first over coax body.



STEP 2: Press over body diameter finger tight.



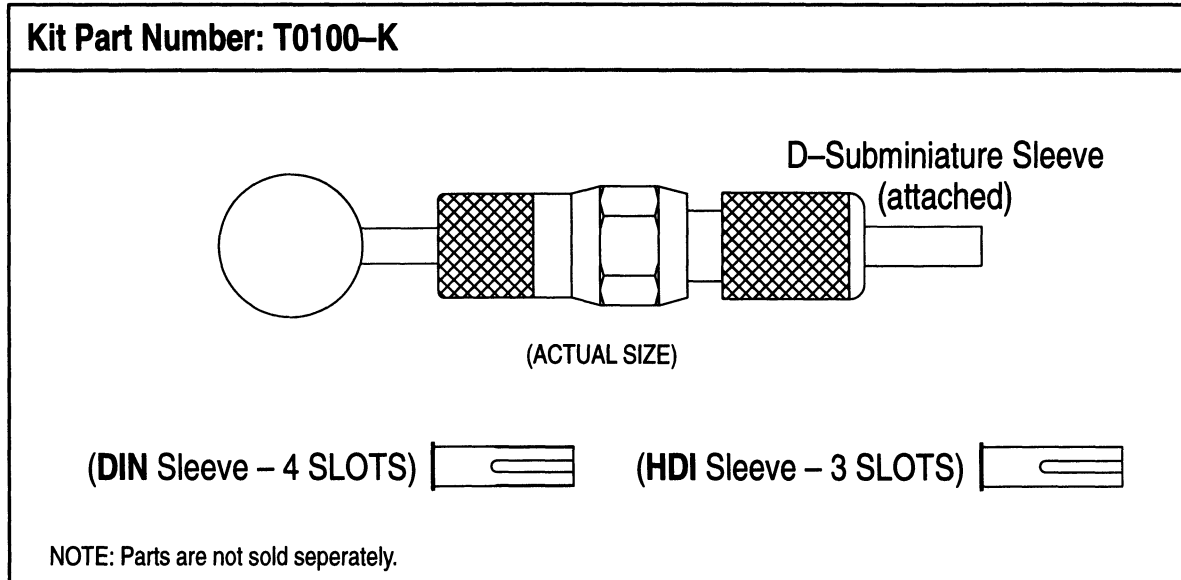
STEP 3: Seat ring into housing with appropriate tool as shown.



CONTACT EXTRACTION TOOL

(T0100-K ASSEMBLY)

The contact extraction tool is a hand-held instrument used to remove a size 8 coaxial contact from a housing. Exclusive to "Industry Standard" tools, the Phoenix Extraction Tool Kit includes three interchangeable sleeves to accommodate D-Subminiature combination, DIN and HDI (High Density) housing options.



Procedure: Insert the tool (sleeve end) into the mating face of the contact and push. This motion will compress the retaining ring and the tool will extract the contact.

